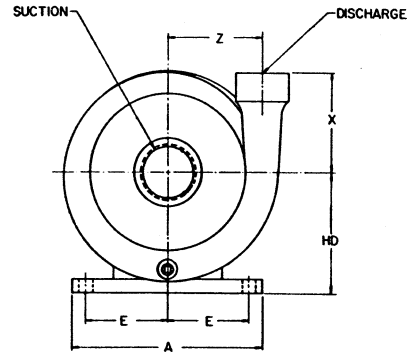
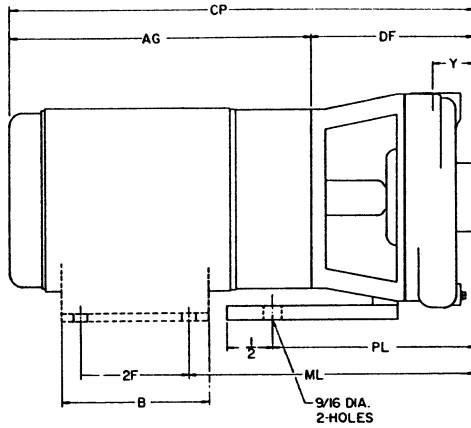


## 1300 Series / Model 1312



### Size 1 1/2 x 1 x 6

RPM	HP	PUMP FOOT	SUC	DIS	A	AG	B	CP	E	2F	DF	H*	HD	ML	PL	X	Y	Z
1750	1/8	NOT REQD	1 1/2" NPT	1" NPT	6.50	9.29	4.25	15.17	2.44	3.00	5.88	NA	4.38	8.75	5.50	3.75	1.25	3.50
	1/2					9.94		15.82										
	3/4					9.29		15.19										
1	10.29					16.17												
3500	1					11.06	16.94	2.75	5.00	.44		4.50						
	1 1/2					12.07	17.82											
	2					13.68	19.56	3.75	5.50									
	3																	

*Dimensions are for TEFC motors only  
\*Optional pump foot shown for motors less feet*

### Size 2 x 1 1/2 x 6

RPM	HP	PUMP FOOT	SUC	DIS	A	AG	B	CP	E	2F	DF	H*	HD	ML	PL	X	Y	Z
1750	1/2	NOT REQD	2" NPT	1 1/2" NPT	6.50	9.29	4.25	15.67	2.44	3.00	6.38	NA	4.38	9.25	6.00	3.88	1.63	3.63
	3/4					9.94		16.32										
	1					10.19		16.57										
	1 1/2					10.29	16.67											
3500	1 1/2					11.06	17.44	2.75	5.00	.44		4.50						
	2					12.07	18.32											
	3					13.68	20.06	3.75	5.50									
	5					15.18	21.56											
	7 1/2																	

*Dimensions are for TEFC motors only. NA= not applicable  
\*Optional pump foot shown for motors less feet*

Not for construction unless certified, some dimensions may vary  $\pm 1/2"$ . Pump Construction: \_\_\_\_\_

CUSTOMER \_\_\_\_\_ CUSTOMER NO. \_\_\_\_\_  
 PROJECT \_\_\_\_\_ SERIAL NO. \_\_\_\_\_  
 ENGINEER \_\_\_\_\_ LOCATION \_\_\_\_\_  
 CONTRACTOR \_\_\_\_\_  
 PUMP Model Size Curve No. GPM Head SP. GR. @Temp.  
 DATA \_\_\_\_\_  
 MOTOR Mfr. HP RPM Volt-Phase-Cycle Frame ENC. Furnished by Mounted by  
 DATA \_\_\_\_\_  
 Shop Order \_\_\_\_\_ Certified by \_\_\_\_\_ Date \_\_\_\_\_