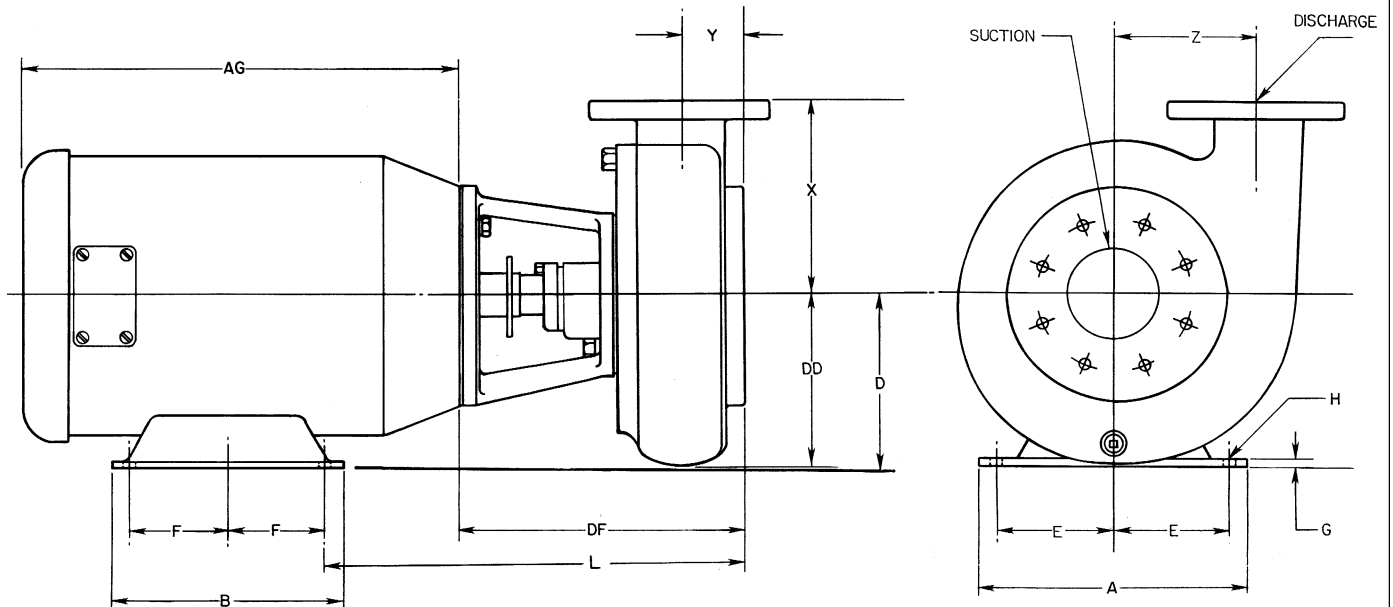


VERTIFLO PUMP COMPANY Dimensions

1300 Series - 10/12" Line



MOTOR DATA

FRAME	A	B	D	E	F	G	H	AG
143 JP	6½	6	3½	2¾	2	⅛	11/32	97/16
145 JP	6½	6	3½	2¾	2½	⅛	11/32	97/16
182 JP	8¾	6¾	4½	3¾	2¼	¾	13/32	13½
184 JP	8¾	6¾	4½	3¾	2¾	¾	13/32	13½
213 JP	9½	7¾	5¼	4¼	2¾	⅝	13/32	15½
215 JP	9½	8¾	5¼	4¼	3½	⅝	13/32	17
254 JP	11¾	10½	6¼	5	4½	11/16	17/32	20½
256 JP	11¾	12½	6¼	5	5	11/16	17/32	21½
284 JP	12¾	12¼	7	5½	4¾	¾	17/32	22¾
286 JP	12¾	13¾	7	5½	4¾	¾	17/32	23¾
324 JP	15¾	13½	8	6¼	5¼	1½	21/32	24½
326 JP	15¾	16	8	6¼	6	1½	21/32	26¾
364 JP	17¾	14¼	9	7	5¾	1¼	21/32	26¾

Dimensions Based on TEFC, JP Frame Motors.

Not for construction unless certified, some dimensions may vary ± 1/2". Pump Construction: _____

CUSTOMER _____ CUSTOMER NO. _____
 PROJECT _____ SERIAL NO. _____
 ENGINEER _____ LOCATION _____
 CONTRACTOR _____
 PUMP Model _____ Size _____ Curve No. _____ GPM _____ Head _____ SP. GR. @Temp. _____
 DATA _____
 MOTOR Mfg. _____ HP _____ RPM _____ Volt-Phase-Cycle _____ Frame ENC. _____
 DATA _____
 Shop Order _____ Certified by _____ Date _____