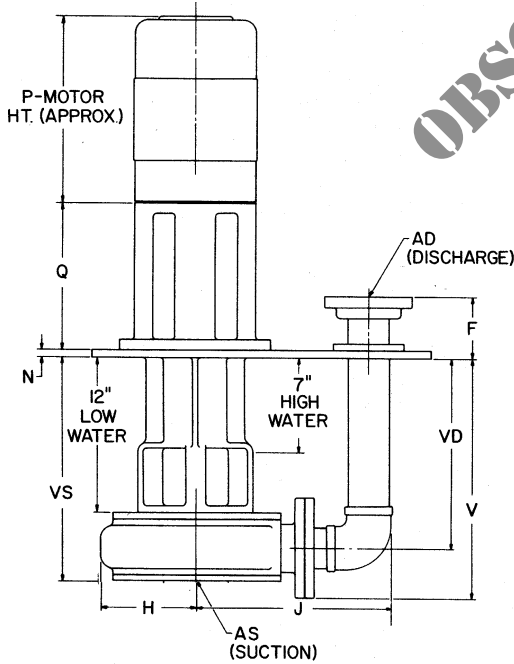


# VERTIFLO PUMP COMPANY Dimensions

## 624 - TCD Process Pump "C" Face Motor w/Discharge Pipe

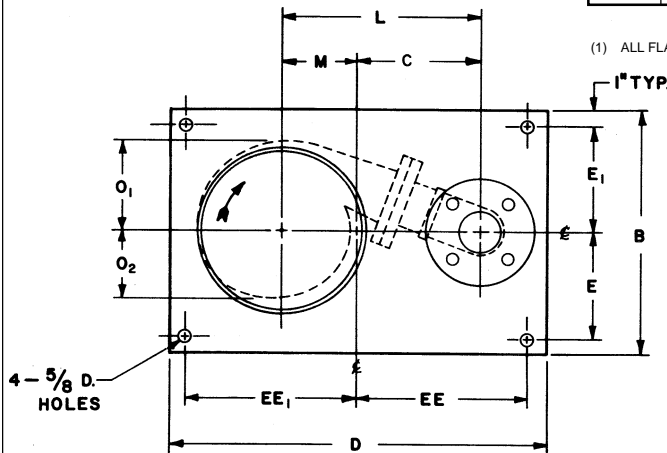
### PUMP DATA



SIZE	AD <sup>(1)</sup>	AS <sup>(1)</sup>	B	D	E <sub>1</sub>	EE <sub>1</sub>	F	H	J	L <sup>(2)</sup>	M	N	O <sub>1</sub>	O <sub>2</sub>	V	VD	VS	C
3x2½x7	2½	3	18	26	8	12	4	5½	13½	11½	3⅞	½	6	5⅝	17⅝	14½	16½	7¾
	3						14¼		12	4⅞	7⅞							
1½x1x8	1	1½	18	26	8	12	3½	5¼	10⅝	9⅝	3¼	½	5½	5¼	15¾	13⅝	15¼	6⅝
	1½						11¼		10	3¼	6½							
1½x1¼x8	1½	1½	18	26	8	12	3½	5⅝	11¼	10	3¼	½	5⅝	5¼	16	13⅝	15½	6¾
	2						11⅞		10⅝	3⅝	7							
2x1½x8	1½	2	18	26	8	12	3½	5½	11¼	10	3¼	½	5⅝	5¼	16⅞	13⅝	15¾	6¾
	2						11⅞		10⅝	3⅝	7							
3x2x8	2	2½	18	26	8	12	4	5⅞	12⅝	11⅞	3⅝	½	6¼	5½	16¾	13¾	16	7¾
	3						14¼		11⅞	4⅞	8							
4x3x8	3	4	18	26	8	12	5	6⅞	15⅝	13⅝	6⅞	½	6⅝	5¾	17⅞	14⅞	16⅞	7¼
	4						16⅝		13⅞	6⅝	8							
5x4x8	4	5	21	30	9½	14	5½	7¼	17¼	14½	5¼	½	8¼	6⅝	18⅞	14⅝	17¼	8¾
	5						18⅝		15	6¼	9							
2x1½x10	1½	2	18	26	8	12	3½	6⅞	12½	11¼	3½	½	6¾	6⅝	16⅞	13⅝	15⅝	7¾
	2						13		11½	3¾	8							
3x2x10	2	3	18	26	8	12	4	6⅞	13⅞	12⅝	4⅞	½	7¼	6½	16¾	13¾	16	7¾
	3						15½		12⅞	5⅞	8							
4x3x10	3	4	21	30	9½	14	5	7¼	17¼	15	6⅞	½	7¾	6⅝	17¾	14	16½	8½
	4						18¼		15½	7	9							
5x4x10	4	5	24	36	11	17	5½	7¾	19¼	16½	7¼	¾	8¾	7½	18¾	14¼	17	9¼
	5						20⅝		17	7¾	10							
6x5x10	5	6	24	36	11	17	5½	8⅞	20⅞	17½	8¼	¾	9⅝	7½	19¼	14¼	17⅞	9¼
	6						22⅞		18	8¾	11							
6x6x10	6	6	28	42	13	20	5½	10¼	22½	18½	8⅞	¾	11⅝	8¾	20	14½	17⅞	10¼
	8						25		19⅝	8¾	13							
6x6x10A	6	6	28	42	13	20	5½	10¼	25	19⅝	8¾	¾	11⅝	8¾	20	14½	17⅞	10⅞
	8						25		19⅝	8¾	13							
2x1½x12	1½	2	20	26	9	12	3½	8	13⅞	12	3½	½	8¾	7⅞	16	13½	17¼	9⅞
	2						14½		13	3⅞	10							

(1) ALL FLANGES ARE 125° ANS

(2) DIMENSIONS VARIES DUE TO THREADED FITTINGS



### MOTOR DATA

FRAME	P	Q
56 C	12½	9⅞
143 TC - 145 TC	12½	9⅞
182 TC - 184 TC	13½	11⅝
213 TC - 215 TC	17	11⅝
254 TC - 256 TC	22	11⅝
284 TC - 286 TC	24	12
324 TSC - 326 TSC	26	12⅞

Not for construction unless certified, some dimensions may vary ± 1/2". Pump Construction: \_\_\_\_\_

CUSTOMER \_\_\_\_\_ CUSTOMER NO. \_\_\_\_\_  
 PROJECT \_\_\_\_\_ SERIAL NO. \_\_\_\_\_  
 ENGINEER \_\_\_\_\_ LOCATION \_\_\_\_\_  
 CONTRACTOR \_\_\_\_\_  
 PUMP Model \_\_\_\_\_ Size \_\_\_\_\_ Curve No. \_\_\_\_\_ GPM \_\_\_\_\_ Head \_\_\_\_\_ SP. GR. @Temp. \_\_\_\_\_  
 DATA \_\_\_\_\_  
 MOTOR Mfr. \_\_\_\_\_ HP \_\_\_\_\_ RPM \_\_\_\_\_ Volt-Phase-Cycle \_\_\_\_\_ Frame ENC. \_\_\_\_\_ Furnished by \_\_\_\_\_ Mounted by \_\_\_\_\_  
 DATA \_\_\_\_\_  
 Shop Order \_\_\_\_\_ Certified by \_\_\_\_\_ Date \_\_\_\_\_