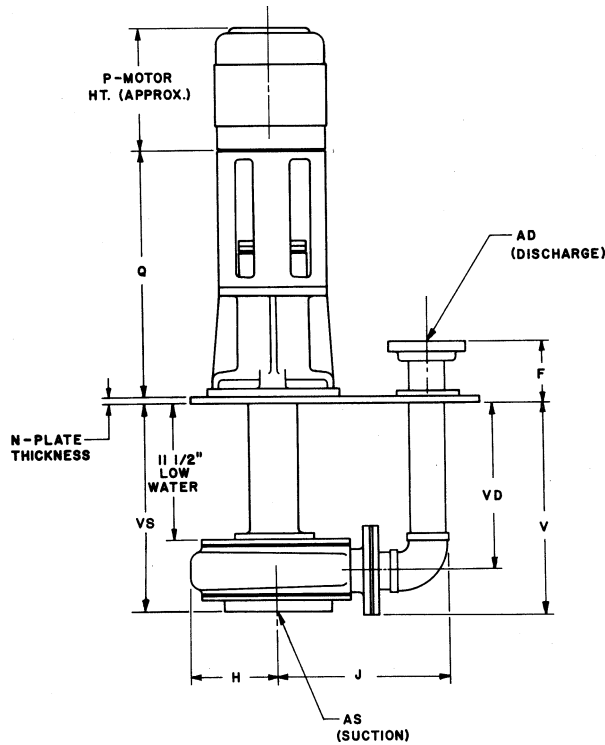
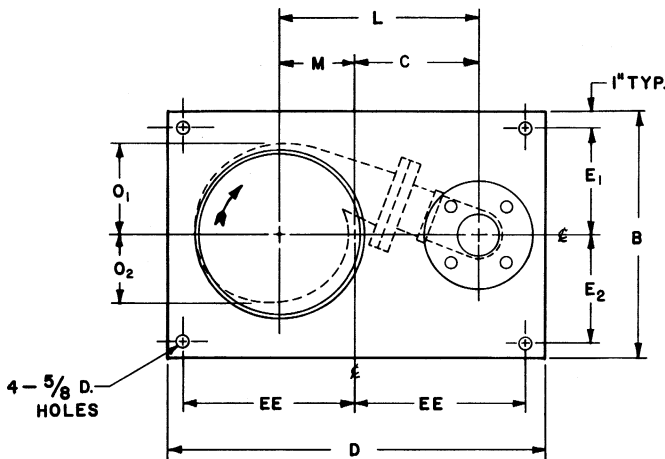


636 - TCP Process Pump "C" Face Motor w/Discharge Pipe



PUMP DATA

SIZE	3x2x12	4x3x12	6x4x12 6x4x12A	6x6x12	8x8x12
AD	2 3	3 4	4 5 6	6 8	8
C	10 1/2	10 1/2	11 7/8	12	15
AS	3	4	6	6	8
B	24	24	24	28	32
D	36	36	36	42	48
E ₁	11	11	12	14	17
E ₂	11	11	10	12	13
EE	17	17	17	20	23
⁽¹⁾ F	5	6	6	5 1/2	6 5/8
H	8	8 1/2	9 3/8	10 1/4	13
⁽¹⁾ J	15 3/4 17 1/4	18 19	17 3/4 21 22	22 3/4 25	28 7/8
⁽¹⁾ L	14 1/4 15	15 3/4 16 5/8	17 17 1/2 18	18 3/4 19 5/8	23
⁽¹⁾ M	3 3/4 4 1/2	5 1/4 5 5/8	5 5/8 5 5/8 6 1/8	6 3/4 7 5/8	8
N	5/8	5/8	5/8	5/8	5/8
O ₁	7 3/4	9	10	11	14 1/8
O ₂	8 3/8	8 1/8	8 5/8	9 1/2	11
V	17 17 1/4	17 1/4 18	18 1/8 18 1/8 19 1/8	19 3/8 20 5/8	20 7/8
VD	14	13 1/2	13 5/8	13 7/8	14 1/8
VS	16 1/4	15 7/8	16 3/8	17 1/8	18 5/8



MOTOR DATA

FRAME	P	Q
56 C	12 1/2	20 1/2
143 TC	12 1/8	20 1/2
145 TC	12 1/2	20 1/2
182-184 TC	13 1/2	20 1/2
213 TC	15 1/2	20 1/2
215 TC	17	20 1/2
254 TC	20 1/8	20 1/2
256 TC	21 1/8	20 1/2
284 TC	22 3/8	21 1/4
286 TC	23 3/8	21 1/4
324 TC	24 3/4	21 3/4
326 TC	26 1/8	21 3/4
364 TC	26 1/2	22 3/8
365 TC	27 1/2	22 3/8

Not for construction unless certified, some dimensions may vary $\pm 1/2"$. Pump Construction: _____

CUSTOMER _____ CUSTOMER NO. _____
 PROJECT _____ SERIAL NO. _____
 ENGINEER _____ LOCATION _____
 CONTRACTOR _____
 PUMP Model _____ Size _____ Curve No. _____ GPM _____ Head _____ SP. GR. @Temp. _____ Pump Length _____ Plate
 DATA _____
 MOTOR Mfr. _____ HP _____ RPM _____ Volt-Phase-Cycle _____ Frame ENC. _____ Furnished by _____ Mounted by
 DATA _____
 Shop Order _____ Certified by _____ Date _____