

1. Motor Support

Assures positive alignment of motor and pump shaft with register fit. Normal thrust, vertical NEMA C face motor standard

2. Flexible Coupling

3. External Impeller Adjustment

High performance maintained without dismantling pump

4. Thrust Bearing

High thrust angular contact bearing. Permanently lubricated for life

5. Gas Tight Column Closure

Prevents vapor from escaping from column

6. Cover Plate

17 1/2" round or square

7. Column Pipe

Schedule 40 steel

8. Intermediate Bearing Assembly

Furnished as standard on pumps built for pit depths greater than 5'-0" at 1750 RPM and 4'-0" at 3500 RPM

9. Shafting

Accurately machined 316 stainless steel, 7/8" diameter to assure minimum deflection

10. Bearings

Carbon graphite - Product lubrication is standard. Designed for clean, non-abrasive liquids.

11. Impeller

Semi-open design for wide range of industrial applications, secured to shaft with taper fit by thread

12. Casing

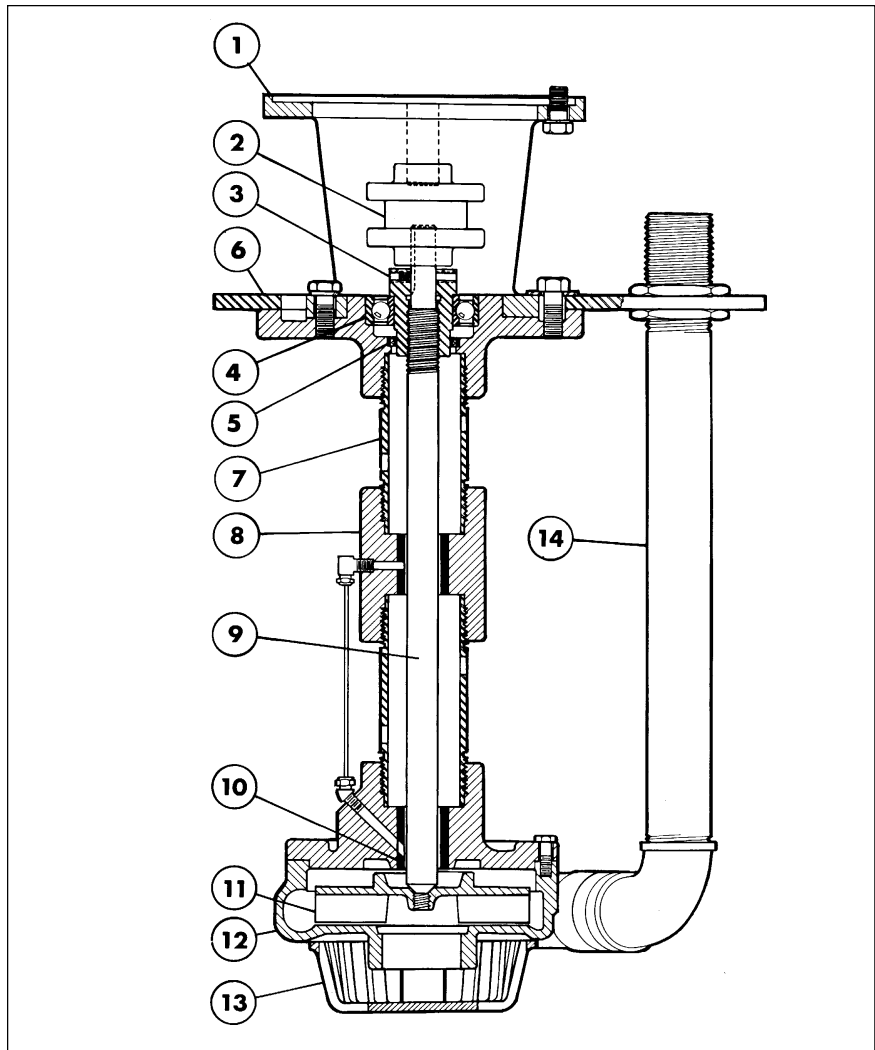
Heavy walled casting

13. Suction Strainer

Cast iron

14. Discharge Pipe

Schedule 40, threaded; flanged connection optional



Materials of Construction

Part Description	Standard Fitted	316 Stainless Fitted	All 316 Stainless
Motor Support	Cast Iron	Cast Iron	Cast Iron
Thrust Bearing Housing	Class 30	Class 30	Class 30
Shaft	Stainless Steel AISI-316	Stainless Steel AISI-316	Stainless Steel AISI-316
Column	Steel ASTM-A53	Steel ASTM-A53	Stainless Steel AISI-316
Bearing Housing	Cast Iron Class 30	Cast Iron Class 30	Stainless Steel AISI-316
Guide Bearings	Carbon Graphite	Carbon Graphite	Carbon Graphite
Impeller	Cast Iron Class 30	Stainless Steel AISI-316	Stainless Steel AISI-316
Casing	Cast Iron Class 30	Cast Iron Class 30	Stainless Steel AISI-316
Gasket	Vellumoid	Vellumoid	NA 700
Strainer	Cast iron Class 30	Cast iron Class 30	Stainless Steel AISI-316
Discharge Elbow	Cast Iron AISI-B164	Cast Iron AISI-B164	Stainless Steel AISI-316
Discharge Pipe	Steel ASTM-A53	Steel ASTM-A53	Stainless Steel AISI-316
Cover Plate	Steel HRS	Steel HRS	Steel HRS
Lip Seal	Nitrile	Nitrile	Nitrile