

1. Motor Support

Assures positive alignment of motor and pump shaft with register fit. Normal thrust, vertical NEMA C face motor standard

2. Flexible Coupling

3. External Impeller Adjustment

High performance maintained without dismantling pump

4. Thrust Bearing

High thrust angular contact bearing. Moisture-proof enclosure, (2) grease seals, purge-type grease lubrication

5. Gas Tight Column Closure

Lip seal, grease lubricated

6. Cover Plate

Designed for specific unit. Optional sizes and gas-tight construction available

7. Column Pipe

Schedule 40 steel with welded flanges

8. Positive Machined Fits

Machined registered fits of column, bearing housing and casing

9. Intermediate Bearing Assembly

Optional designs for special applications. Furnished as standard on pumps built for pit depths greater than 6'-0"

10. Shafting

Accurately machined 416 stainless steel, 1 1/4", 1 1/2" or 2" diameter to assure minimum deflection

11. Pump Bearing Assembly

Heavy construction designed for maximum bearing loadings. Optional designs available

12. Bearings

Various materials available to suit most applications

13. Choker Ring

Restricts entrance of abrasives and solids into bottom bearing

14. Impeller

Semi-open design with balancing ring & wiping vanes for wide range of industrial applications, secured to shaft with taper fit by woodruff key, castellated nut, washer and cotter pin

15. Casing

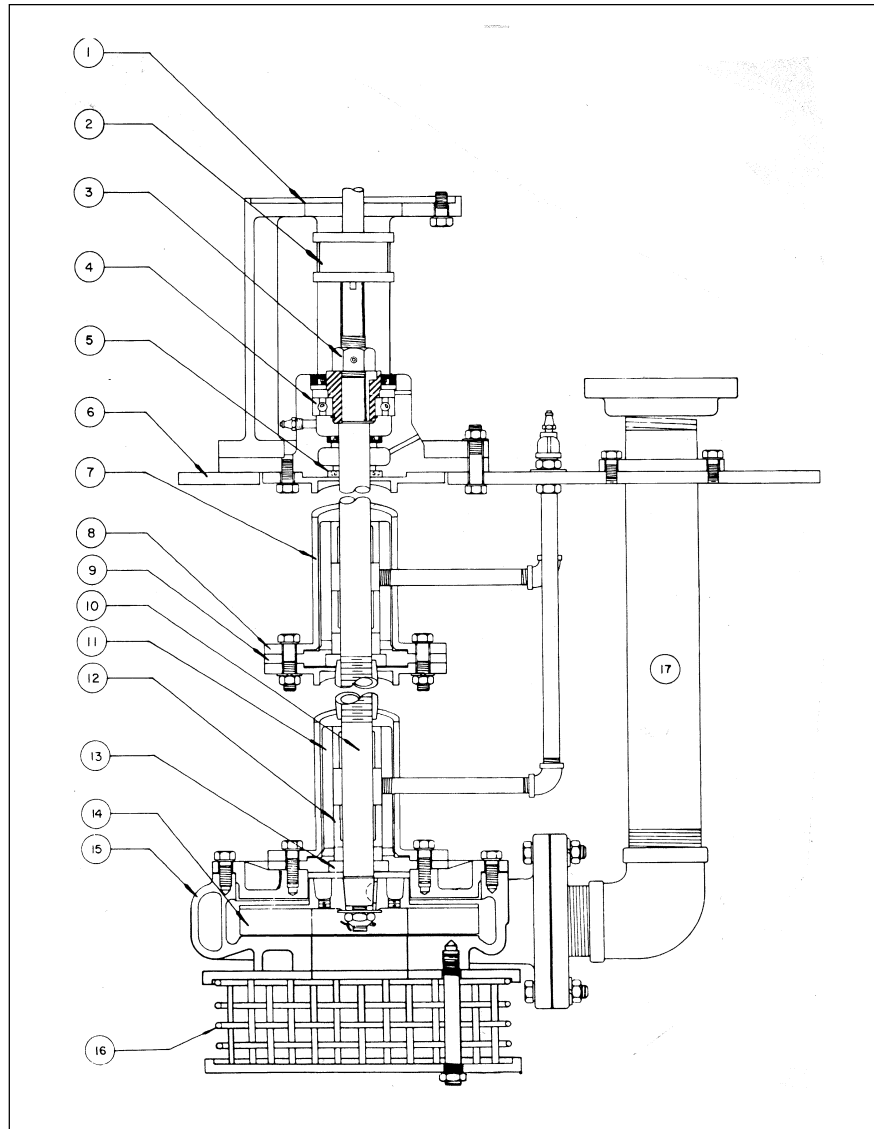
Flanged suction and discharge all sizes. Double volute design on all 4X3X10 and larger sizes

16. Suction Strainer

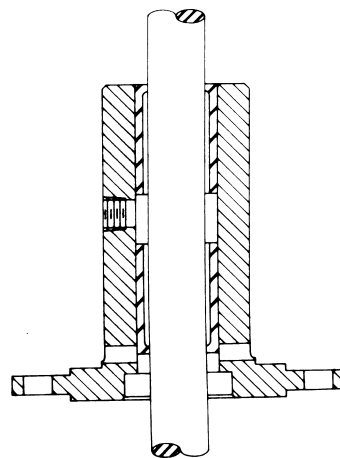
304 stainless steel

17. Discharge Pipe

1"-2 1/2" threaded, 3" and larger flanged. Below plate "T"-type discharge available



Standard Line Shaft Bearing Assemblies



Lower Bearing Assembly

The standard pump bearing assembly consists of choker ring and (2) guide bearing bushings compatible with the liquid. Standard bronze bearings furnished with grease lubrication. Optional: carbon graphite, rubber, Teflon*

Intermediate Bearing Assembly

The standard intermediate assembly consists of (2) guide bearings compatible with the liquid and is standard when pit depth exceeds 6 feet. Standard bronze bearings furnished with grease lubrication. Optional: carbon graphite, rubber, Teflon*

*E.I DuPont registered TM