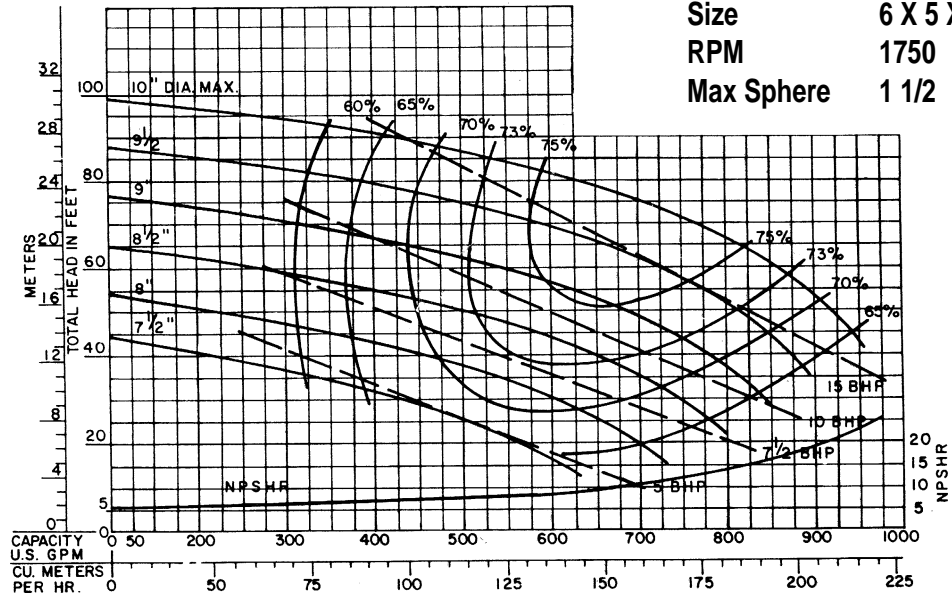


VERTIFLO PUMP COMPANY Performance Curves

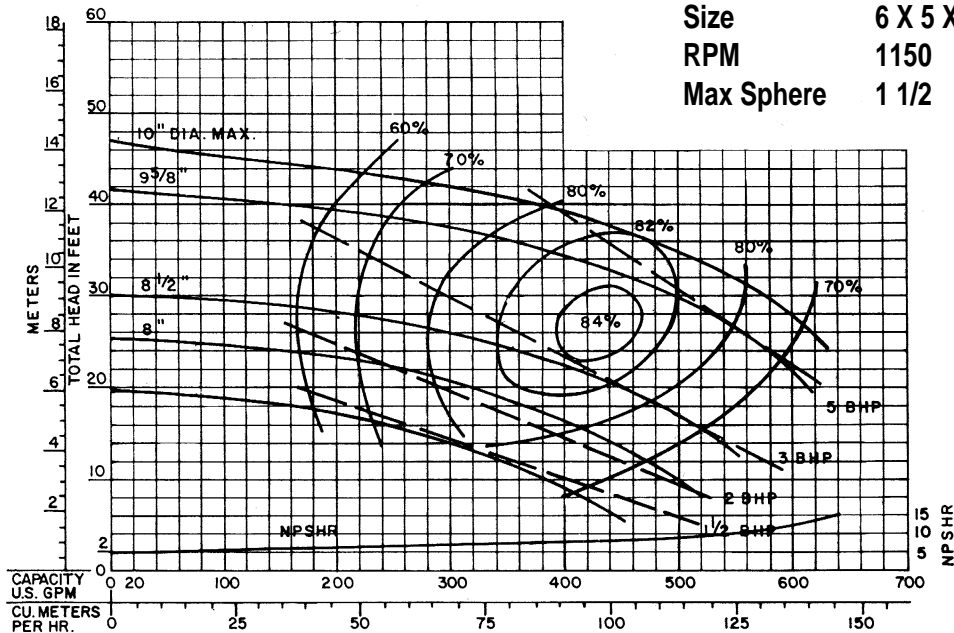
Curve SM-1750

Series 800
 Size 6 X 5 X 10A
 RPM 1750
 Max Sphere 1 1/2



Curve SM-1850

Series 800
 Size 6 X 5 X 10A
 RPM 1150
 Max Sphere 1 1/2



Performance at Casing Discharge Flange

Curves Show Performance with Liquid Having Specific Gravity 1.0 Viscosity • 30 SSU

CUSTOMER _____ CUSTOMER NO. _____

PROJECT _____

ENGINEER _____

CONTRACTOR _____

CONDITIONS: _____ GPM _____ TDH _____ HP _____ EFF% _____ IMP. DIA _____