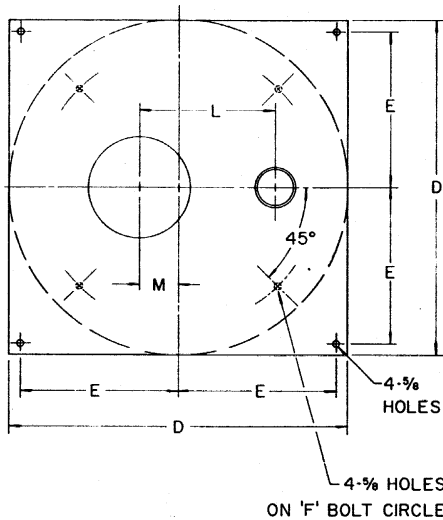
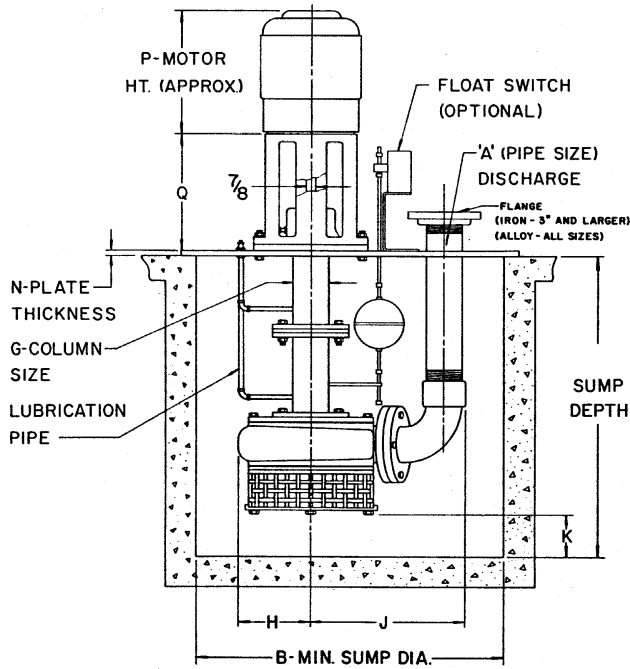


# VERTIFLO PUMP COMPANY Dimensions

## 800-S Simplex Sump Pump

### PUMP DATA



SIZE	MODEL	A	B	C	D	E	F	G	H	J	K <sup>(2)</sup>	L	M	N
3x2 1/2x7	820-S	2 1/2	24	2 TO 26' IN 1' INCREMENTS	28	13	26	4	5 1/2	13 1/2	2 7/8	11 1/2	4 1/4	3/8
		3								14 1/4	12	9 1/2	4 1/4	3/8
1 1/2x1x8	820-S	1	24							10 5/8	4 1/8	9 5/8	4 1/4	3/8
		1 1/2								11 1/8	4 1/8	10	4 1/4	3/8
1 1/2x1 1/4x8	820-S	1 1/2	24							11 1/8	3 1/8	10 3/8	4 1/4	3/8
		2								12	3 1/8	10 3/8	4 1/4	3/8
2x1 1/2x8	820-S	1 1/2	24							11 1/8	3 3/8	10 3/8	4 1/4	3/8
		2								12 1/2	3 3/8	11 1/8	4 1/4	3/8
3x2x8	820-S	2 1/2	24							12 5/8	3 3/8	11 1/8	4 1/4	3/8
		3								13 3/8	3 3/8	11 1/2	4 1/4	3/8
4x3x8	820-S	4	24							15 1/2	1 1/2	13 7/8	5 1/4	3/8
		4								16 5/8	1 1/2	13 7/8	5 1/4	3/8
5x4x8	820-S	5	30							17 1/2	1 1/2	14 1/2	6 1/8	3/8
		5								17 3/4	1 1/2	15	6 1/8	3/8
2x1 1/2x10	820-S	1 1/2	34							12 1/2	5	11 1/2	4 1/4	3/8
		2								13 1/2	5	12 1/2	4 1/4	3/8
3x2x10	820-S	2 1/2	24							14 1/2	5	12 5/8	4 1/4	3/8
		3								15 1/2	5	13 1/2	4 1/4	3/8
4x3x10	820-S	4	30							17 1/2	2 3/8	15 1/2	6 1/8	3/8
		4								18 1/2	2 3/8	15 1/2	6 1/8	3/8
5x4x10	824-S	5	30	19 1/2	1 1/2	17	6 1/8	3/8						
		5		20 3/8	1 1/2	17 1/2	6 1/8	3/8						
6x5x10	824-S	6	36	20 7/8	1 1/2	17 1/2	6 1/4	1/2						
		6		21 7/8	1 1/2	18	6 1/4	1/2						
6x6x10	824-S	6	36	22 1/2	1 1/2	18 1/2	7 1/4	1/2						
		6		22 3/4	1 1/2	19 1/2	7 1/4	1/2						
6x6x10A	824-S	8	36	25	7/8	19 3/4	7 1/4	1/2						
		8		25 1/2	7/8	19 3/4	7 1/4	1/2						
2x1 1/2x12	824-S	1 1/2	24	12 7/8	2 1/8	12	4 1/4	3/8						
		2		13 3/4	2 1/8	12 1/2	4 1/4	3/8						
3x2x12	824-S	3	36	15 3/4	2	15	6	1/2						
		3		17 1/4	2	15 3/4	6	1/2						
4x3x12	824-S	3	36	18	1 3/8	16 1/4	6	1/2						
		4		19 1/2	1 3/8	16 3/4	6	1/2						

FRAME	P	Q
56 C	10 7/16	12
143 TC	10	12
145 TC	10 7/16	12
182 - 184 TC	13 1/2	12
213 TC	15 1/2	12
215 TC	17	12
254 TC	20 1/8	12
256 TC	21 7/8	12
284 TC	22 3/8	13
286 TC	23 7/8	13
324 TC	24 3/4	13 1/2
326 TC	26 1/8	13 1/2
364 TC	26 1/2	16 5/8
365 TC	27 1/2	16 5/8

### MOTOR DATA

"K" dimension shown is for a pump built for a 2' through 6' pit depth. For each additional column section, subtract 3/8" from "K."

Not for construction unless certified, some dimensions may vary ± 1/2". Pump Construction: \_\_\_\_\_

CUSTOMER \_\_\_\_\_ CUSTOMER NO. \_\_\_\_\_  
 PROJECT \_\_\_\_\_ SERIAL NO. \_\_\_\_\_  
 ENGINEER \_\_\_\_\_ LOCATION \_\_\_\_\_  
 CONTRACTOR \_\_\_\_\_  
 PUMP Model Size Curve No. GPM Head SP. GR. @Temp. Pump Length Plate  
 DATA \_\_\_\_\_  
 MOTOR Mfgr. HP RPM Volt-Phase-Cycle Frame ENC. Furnished by Mounted by  
 DATA \_\_\_\_\_  
 Shop Order \_\_\_\_\_ Certified by \_\_\_\_\_ Date \_\_\_\_\_