

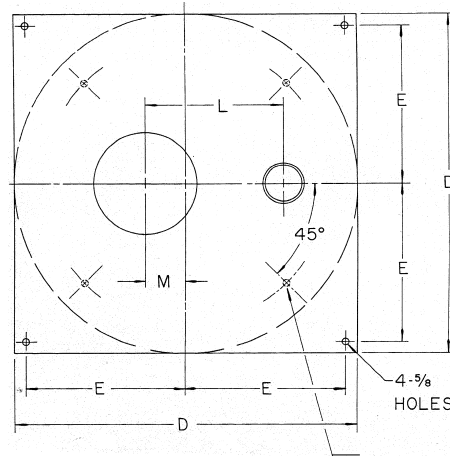
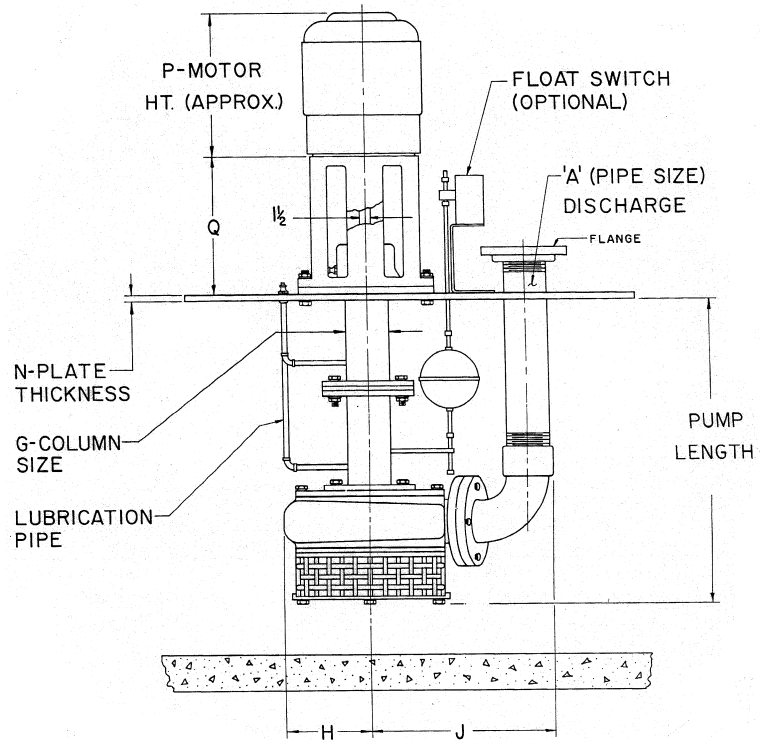
## 832 Simplex Sump Pump

### PUMP DATA

SIZE	MDL	A	B	D	E	F	G	H	J	L	M	N
6x4x12	832	4							19 <sup>3</sup> / <sub>4</sub>	17		
		5	36	40	19	38	6	9	20 <sup>7</sup> / <sub>8</sub>	17 <sup>1</sup> / <sub>2</sub>	6 <sup>7</sup> / <sub>8</sub>	1/2
		6							22	18		
6x6x12	832	6	36	40	19	38	6	9 <sup>1</sup> / <sub>2</sub>	22 <sup>3</sup> / <sub>4</sub>	18 <sup>3</sup> / <sub>4</sub>	7 <sup>1</sup> / <sub>8</sub>	1/2
		8	40	54	26	52			25 <sup>1</sup> / <sub>4</sub>	19 <sup>7</sup> / <sub>8</sub>		
8x8x12	832	8	40	54	26	52	6	12 <sup>1</sup> / <sub>2</sub>	28 <sup>3</sup> / <sub>8</sub>	23	8 <sup>1</sup> / <sub>2</sub>	1/2
		10							30 <sup>3</sup> / <sub>8</sub>	24 <sup>1</sup> / <sub>8</sub>		

### MOTOR DATA

FRAME	P	Q
56 C	12 <sup>1</sup> / <sub>8</sub>	12
143 - 145 TC	12 <sup>1</sup> / <sub>4</sub>	12
182 - 184 TC	15 <sup>7</sup> / <sub>16</sub>	12
213 - 215 TC	16 <sup>11</sup> / <sub>16</sub>	14 <sup>1</sup> / <sub>4</sub>
254 - 256 TC	20	14 <sup>1</sup> / <sub>4</sub>
284 - 286 TC	20 <sup>1</sup> / <sub>8</sub>	14 <sup>5</sup> / <sub>8</sub>
324 - 326 TSC	25	16 <sup>5</sup> / <sub>8</sub>
364 - 365 TSC	25 <sup>1</sup> / <sub>4</sub>	16 <sup>5</sup> / <sub>8</sub>
404 - 405 TSC	28	18 <sup>5</sup> / <sub>8</sub>



Not for construction unless certified, some dimensions may vary  $\pm 1/2$ ". Pump Construction: \_\_\_\_\_

CUSTOMER \_\_\_\_\_ CUSTOMER NO. \_\_\_\_\_  
 PROJECT \_\_\_\_\_ SERIAL NO. \_\_\_\_\_  
 ENGINEER \_\_\_\_\_ LOCATION \_\_\_\_\_  
 CONTRACTOR \_\_\_\_\_  
 PUMP Model Size Curve No. GPM Head SP. GR. @Temp. Pump Length Plate  
 DATA \_\_\_\_\_  
 MOTOR Mfg. HP RPM Volt-Phase-Cycle Frame ENC. Furnished by Mounted by  
 DATA \_\_\_\_\_  
 Shop Order \_\_\_\_\_ Certified by \_\_\_\_\_ Date \_\_\_\_\_