

1. Motor Support

Assures positive alignment of motor and pump shaft with register fit. Normal thrust, vertical NEMA C face motor standard

2. Flexible Coupling

3. External Impeller Adjustment

High performance maintained without dismantling pump

4. Thrust Bearings

High thrust angular contact bearing. Moisture-proof enclosure, (2) grease seals, purge-type grease lubrication

5. Gas Tight Column Closure

Optional double lip seals available

6. Cover Plate

Designed for specific unit. Optional sizes and gas-tight construction available

7. Column Pipe

Schedule 40 steel with welded flanges

8. Positive Machined Fits

Machined registered fits of column, bearing housing and casing

9. Intermediate Bearing Assembly

Furnished as standard for pit depths in excess of 6'-0". Optional designs for special applications

10. Shafting

Accurately machined 416 stainless steel, 1 1/4", 1 1/2" and 1 5/8" diameter to assure minimum deflection

11. Pump Bearing Assembly

Heavy construction designed for maximum bearing loadings. Optional designs available

12. Bearings

Various materials available to suit most applications

13. Choker Ring

Restricts entrance of abrasives and solids into bottom bearing

14. Impeller

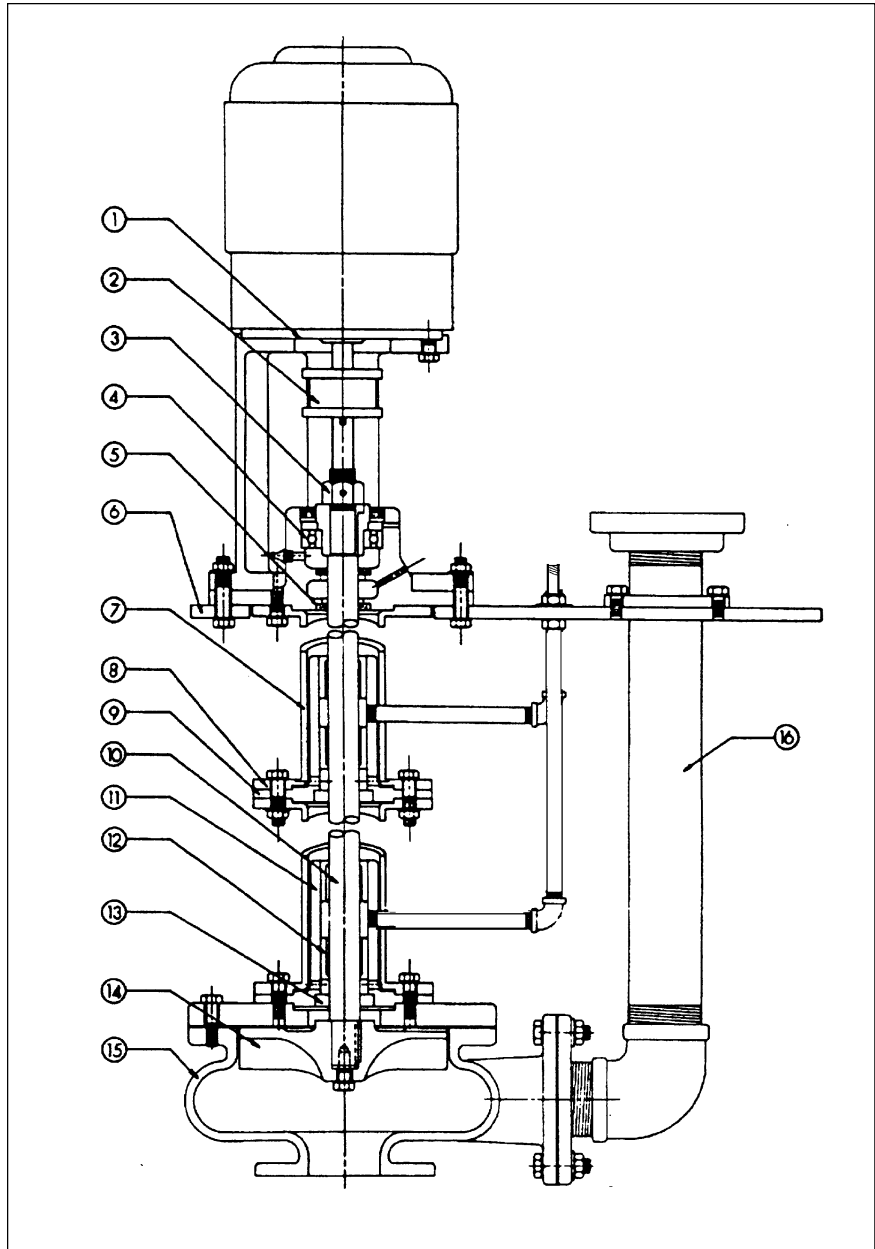
Fully recessed out of flow path. Full length eductor vanes reduce pressure and solid particle buildup behind the impeller

15. Casing

Vortex-type concentric design. Extra heavy wall thickness design for corrosion allowance

16. Discharge Pipe

Schedule 40 flanged pipe and fittings. Below plate "T"-type discharge available



Standard Line Shaft Bearing Assemblies

Lower Bearing Assembly

The standard pump bearing assembly consists of choker ring and (2) guide bearing bushings compatible with the liquid. Standard carbon graphite bearings furnished. Optional: bronze, Teflon* or viton.

Intermediate Bearing Assembly

The standard intermediate assembly consists of (2) guide bearings compatible with the liquid and is standard when pit depth exceeds 6 feet. Standard carbon graphite bearings furnished. Optional: bronze, Teflon* or viton.

*E.I. DuPont registered TM

