

VERTIFLO

The Vertical Pump Specialists

PUMPS FOR INDUSTRY

CONTENTS:

Introduction & User List

Product Overview

Vertical Process Pumps Series 600

Vertical Sewage Pumps Series 700

Vertical Sump Pumps Series 800

Vertical Vortex Pumps Series 900

Vertical Cantilever Pumps Series 1100 and 1200

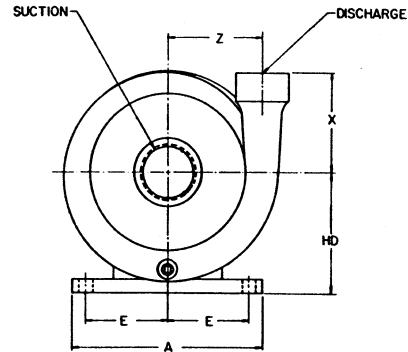
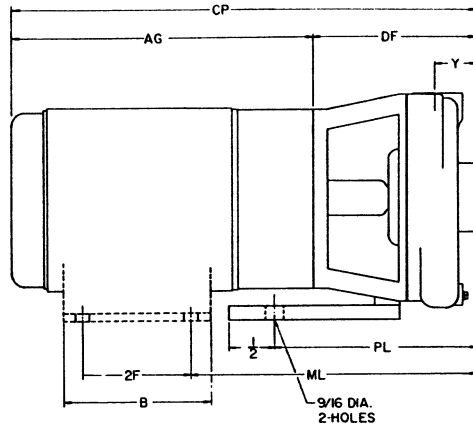
**Horizontal End Suction
Pumps-Centrifugal Series 1300 and 1400**

Horizontal End Suction
Pumps-Vortex Series 1500 and 1600

Horizontal Self-priming
Pumps- Centrifugal Series 2100

Engineering Sample Specifications

1300 Series / Model 1312



Size 1 1/2 x 1 x 6

RPM	HP	PUMP FOOT	SUC	DIS	A	AG	B	CP	E	2F	DF	H*	HD	ML	PL	X	Y	Z
1750	1/8	NOT REQD	1 1/2" NPT	1" NPT	6.50	9.29	4.25	15.17	2.44	3.00	5.88	NA	4.38	8.75	5.50	3.75	1.25	3.50
	1/2					9.94		15.82										
	3/4					9.29		15.19										
1	10.29					16.17												
3500	1					11.06	16.94	5.94	2.75	5.00		.44	4.50					
	1 1/2					12.07	17.82											
	2					13.68	19.56											
	3																	
5																		

*Dimensions are for TEFC motors only
Optional pump foot shown for motors less feet

Size 2 x 1 1/2 x 6

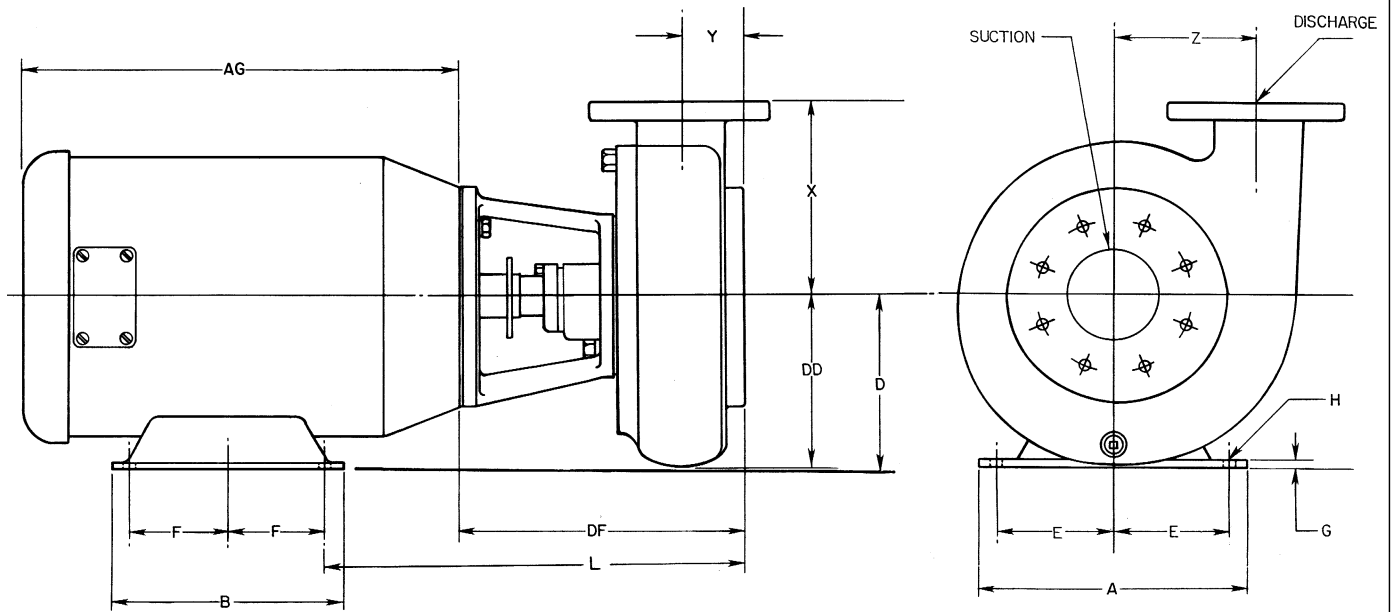
RPM	HP	PUMP FOOT	SUC	DIS	A	AG	B	CP	E	2F	DF	H*	HD	ML	PL	X	Y	Z
1750	1/2	NOT REQD	2" NPT	1 1/2" NPT	6.50	9.29	4.25	15.67	2.44	3.00	6.38	NA	4.38	9.25	6.00	3.88	1.63	3.63
	3/4					9.94		16.32										
	1					10.19		16.57										
	1 1/2					10.29	16.67											
3500	1 1/2					11.06	17.44	5.94	2.75	5.00		.44	4.50					
	2					12.07	18.32											
	3					13.68	20.06											
	5					15.18	21.56											
	7 1/2																	

*Dimensions are for TEFC motors only. NA= not applicable
Optional pump foot shown for motors less feet

Not for construction unless certified, some dimensions may vary $\pm 1/2"$. Pump Construction: _____

CUSTOMER _____ CUSTOMER NO. _____
 PROJECT _____ SERIAL NO. _____
 ENGINEER _____ LOCATION _____
 CONTRACTOR _____
 PUMP Model Size Curve No. GPM Head SP. GR.@Temp.
 DATA _____
 MOTOR Mfr. HP RPM Volt-Phase-Cycle Frame ENC. Furnished by Mounted by
 DATA _____
 Shop Order _____ Certified by _____ Date _____

1300 Series - 8" Line



MOTOR DATA

FRAME	A	B	D	E	F	G	H	AG
143 JP	6½	6	3½	2¾	2	1/8	11/32	97/16
145 JP	6½	6	3½	2¾	2½	1/8	11/32	97/16
182 JP	8¾	6¾	4½	3¾	2¼	3/8	13/32	13½
184 JP	8¾	6¾	4½	3¾	2¾	3/8	13/32	13½
213 JP	9½	7¾	5¼	4¼	2¾	5/8	13/32	15½
215 JP	9½	8¾	5¼	4¼	3½	5/8	13/32	17
254 JP	11¾	10 ¹¹ / ₁₆	6¼	5	4½	1 ¹ / ₁₆	17/32	20 ¹ / ₈
256 JP	11¾	12 ⁷ / ₁₆	6¼	5	5	1 ¹ / ₁₆	17/32	21 ⁷ / ₈
284 JP	12 ⁷ / ₈	12¼	7	5½	4¾	¾	17/32	22 ³ / ₈

Dimensions Based on TEFC, JP Frame Motors.

Not for construction unless certified, some dimensions may vary ± 1/2". Pump Construction: _____

CUSTOMER _____ CUSTOMER NO. _____
 PROJECT _____ SERIAL NO. _____
 ENGINEER _____ LOCATION _____
 CONTRACTOR _____
 PUMP Model _____ Size _____ Curve No. _____ GPM _____ Head _____ SP. GR. @Temp. _____
 DATA _____
 MOTOR Mfgr. _____ HP _____ RPM _____ Volt-Phase-Cycle _____ Frame ENC. _____
 DATA _____
 Shop Order _____ Certified by _____ Date _____

1300

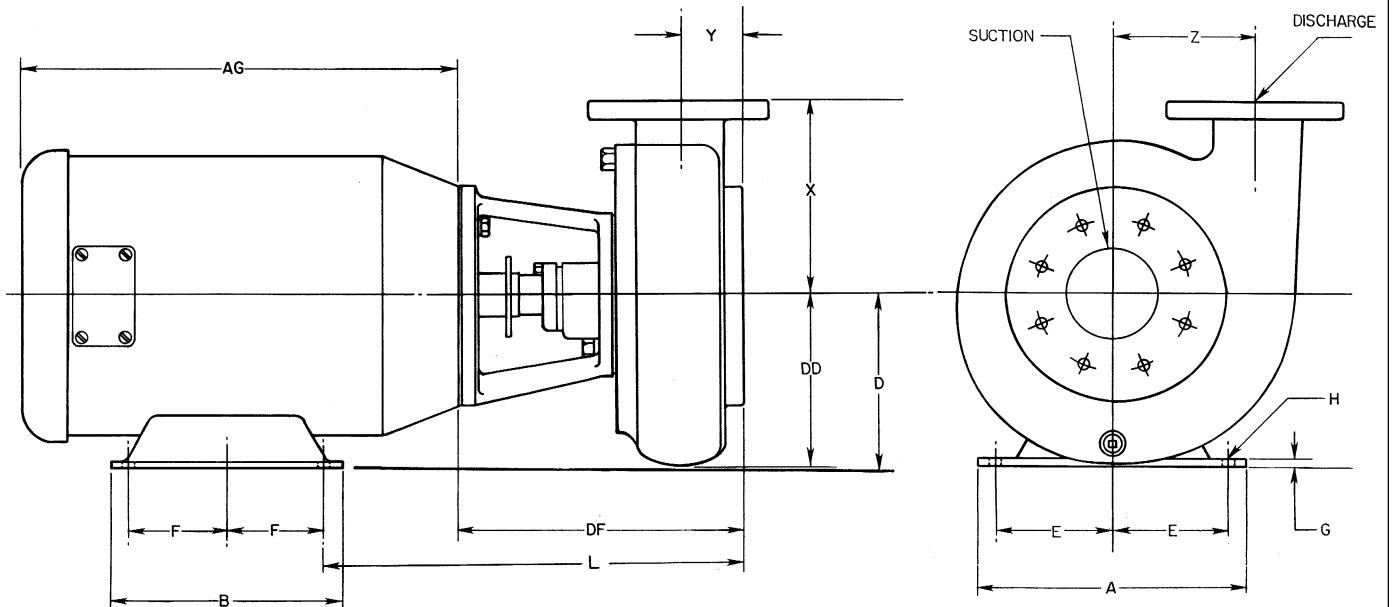
VERTIFLO PUMP COMPANY Dimensions

1300 Series - 8" Line

LIQUID END	PUMP MODEL	MOTOR FRAME	SUCTION FLANGE						DISCHARGE FLANGE						DF	L	X	Y	Z	DD	R ₁	R ₂
			FLG. SIZE	DIA. FLG.	# OF HOLES	HOLE DIA.	TAP	B.C.	FLG. SIZE	DIA. FLG.	# OF HOLES	HOLE DIA.	B.C.									
3 x 2½ x 7	1320	143 JP	3	7½	4	—	5/8	6	2½	7	4	¾	5½	10 9/16	13 3/16	6¼	2 2/8	4 ¾	5 ½			
		145 JP													13 5/16							
		182 JP													14 ¼							
		184 JP													14 ¼							
	1326	213 JP													11 1/8							15 1 1/16
		215 JP																				16 3/16
		254 JP																				16 3/16
1½ x 1 x 8	1320	143 JP	1½	5	4	—	½	13	3 7/8	1	4¼	4	5/8	3 3/8	12 1/16	6	1 5/8	4 ½	5 ¼			
		145 JP													11 13/16							
		182 JP													12 3/4							
		184 JP													12 3/4							
	1326	213 JP													9 5/16							14 ½
		215 JP																				14 ½
1½ x 1¼ x 8	1320	143 JP	1½	5	4	—	½	13	3 7/8	1¼	4 5/8	4	5/8	3 ½	13 5/16	5 ¾	1 13/16	4 ¾	5 3/8	5 ½	5 ¾	
		145 JP													13 1/16							
		182 JP													14							
		184 JP													14							
	1326	213 JP													9 ¾							15 7/16
		215 JP																				15 15/16
		254 JP																				15 15/16
		256 JP																				15 15/16
2 x 1½ x 8	1320	143 JP	2	6	4	—	5/8	11	4 ¾	1½	5	4	9/16	3 7/8	12 ¾	5 ¾	2	4 ¾	5 3/8			
		145 JP													12 ½							
		182 JP													13 7/16							
		184 JP													13 7/16							
	1326	213 JP													10 3/8							14 15/16
		215 JP																				14 15/16
3 x 2 x 8	1320	143 JP	2½	7	4	—	5/8	11	5 ½	2	6	4	¾	4 ¾	13	6 ¼	2 1/8	4 ¾	5 ¾			
		145 JP													12 ¾							
		182 JP													13 1 1/16							
		184 JP													13 1 1/16							
	1326	213 JP													10 1/16							15 3/16
		215 JP																				15 3/16
		254 JP																				15 1 1/16
		256 JP																				15 1 1/16
4 x 3 x 8	1320	145 JP	4	9	8	—	5/8	11	7 ½	3	7 ½	4	¾	6	13 ¾	7	2 ¾	5 ¼	6			
		182 JP													14 1 1/16							
		184 JP													14 1 1/16							
5 x 4 x 8	1320	145 JP	5	10	8	—	¾	10	8 ½	4	9	8	¾	7 ½	14 ¼	7	2 7/8	6	7 1/8			
		182 JP													15 1/16							
		184 JP													15 1/16							
	1326	213 JP													11 3/8							16 ½
		215 JP																				16 ½

VERTIFLO PUMP COMPANY Dimensions

1300 Series - 10/12" Line



MOTOR DATA

FRAME	A	B	D	E	F	G	H	AG
143 JP	6½	6	3½	2¾	2	⅛	11/32	97/16
145 JP	6½	6	3½	2¾	2½	⅛	11/32	97/16
182 JP	8¾	6¾	4½	3¾	2¼	¾	13/32	13½
184 JP	8¾	6¾	4½	3¾	2¾	¾	13/32	13½
213 JP	9½	7¾	5¼	4¼	2¾	⅝	13/32	15½
215 JP	9½	8¾	5¼	4¼	3½	⅝	13/32	17
254 JP	11¾	10½	6¼	5	4½	11/16	17/32	20½
256 JP	11¾	12½	6¼	5	5	11/16	17/32	21½
284 JP	12¾	12¼	7	5½	4¾	¾	17/32	22¾
286 JP	12¾	13¾	7	5½	4¾	¾	17/32	23¾
324 JP	15¾	13½	8	6¼	5¼	1½	21/32	24½
326 JP	15¾	16	8	6¼	6	1½	21/32	26¾
364 JP	17¾	14¼	9	7	5¾	1¼	21/32	26¾

Dimensions Based on TEFC, JP Frame Motors.

Not for construction unless certified, some dimensions may vary ± 1/2". Pump Construction: _____

CUSTOMER _____ CUSTOMER NO. _____
 PROJECT _____ SERIAL NO. _____
 ENGINEER _____ LOCATION _____
 CONTRACTOR _____
 PUMP Model _____ Size _____ Curve No. _____ GPM _____ Head _____ SP. GR. @Temp. _____
 DATA _____
 MOTOR Mfg. _____ HP _____ RPM _____ Volt-Phase-Cycle _____ Frame ENC. _____
 DATA _____
 Shop Order _____ Certified by _____ Date _____

VERTIFLO PUMP COMPANY Dimensions

1300 Series 10/12" Line

LIQUID END	PUMP MODEL	MOTOR FRAME	SUCTION FLANGE						DISCHARGE FLANGE						DF	L	X	Y	Z	DD
			FLG. SIZE	DIA. FLG.	# OF HOLES	HOLE DIA.	TAP	B.C.	FLG. SIZE	DIA. FLG.	# OF HOLES	HOLE DIA.	B.C.							
2x1½x10	1320	145 JP	2	6	4	—	5/8 11	4¾	1½	5	4	5/8	3¾	9 11/16	12 7/16	6 1/2	2	5 3/4	6 3/8	
		182 JP													13 3/8					
		184 JP													14 13/16					
	1326	213 JP												10 1/4						
		215 JP																		
		254 JP																		
		256 JP													15 5/16					
3x2x10	1320	145 JP	3	7 1/2	4	—	5/8 11	6	2	6	¾	4¾	10 1/16	12 3/4	7	2 1/8	5 3/4	6 1/2		
		182 JP												13 1 1/16						
		184 JP												15 3/16						
	1326	213 JP											10 5/8							
		215 JP																		
		254 JP																		
		256 JP												15 1 1/16						
284 JP	15 1 1/16																			
	15 1 1/16																			
	15 1 1/16																			
	15 1 1/16																			
	15 1 1/16																			
	15 1 1/16																			
4x3x10	1320	145 JP	4	9	8	—	5/8 11	7 1/2	3	7 1/2	¾	6	10 5/8	13 5/16	8 3/8	2 7/16	6 1/4	7		
		182 JP												14 1/4						
		213 JP												15 3/4						
	1326	215 JP											11 1/4							
		254 JP																		
		256 JP																		
		284 JP												16 1/4						
5x4x10	1320	184 JP	5	10	8	—	¾ 10	8 1/2	4	9	¾	7 1/2	11 3/4	14 13/16	9	2 3/4	6 1/2	7 1/2		
		213 JP												16 3/8						
	1326	215 JP											11 3/4							
		254 JP																		
		256 JP												16 7/8						
6x5x10 6x5x10A	1320	145 JP	6	11	8	—	¾ 10	9 1/2	5	10	7/8	8 1/2	11 5/16	13 7/8	9	2 13/16	7 1/8	8 3/8		
		182 JP												14 13/16						
	1326	213 JP											11 7/8							
		215 JP																		
		254 JP																		
		256 JP																		
		284 JP												16 15/16						
6x6x10 6x6x10A	1326	215 JP	6	11	8	—	¾ 10	9 1/2	6	11	7/8	9 1/2	12 3/16	16 3/4	9	2 15/16	8	10		
		254 JP												17 1/4						
		256 JP																		
		284 JP																		
2x1½x12	1320	184 JP	2	6	4	¾	—	4¾	1½	5	4	5/8	3¾	11 1/2	7 1/2	3¾	6¾	3 7/8		
		213 JP												15						
	1326	215 JP											12 1/16							
		254 JP												16 1/2						
17																				

VERTIFLO PUMP COMPANY Dimensions

LIQUID END	PUMP MODEL	MOTOR FRAME	SUCTION FLANGE						DISCHARGE FLANGE					DF	L	X	Y	Z	DD
			FLG. SIZE	DIA. FLG.	# OF HOLES	SOLE DIA.	TAP	B.C.	FLG. SIZE	DIA. FLG.	# OF HOLES	SOLE DIA.	B.C.						
3x2x12	1326	213 JP	3	7½	4	—	⅝	6	2	6	4	¾	4¾	12½	16⅝	9½	2⅝	5	7⅝
		215 JP																	
		254 JP																	
		256 JP																	
		284 JP																	
4x3x12	1326	215 JP	4	9	8	—	⅝	7½	3	7½	4	¾	6	11¾	16¼	8½	2½	7¾	8½
		254 JP																	
		256 JP																	
		284 JP																	
		286 JP																	
6x4x12	1326	254 JP	6	11	8	—	¾	9½	4	9	8	7⁄8	7½	12¼	17¼	9	2¾	7¾	9
		256 JP																	
		284 JP																	
		286 JP																	
		324 JP																	
		326 JP																	
	1334	364 JP													18⅝				
6x6x12	1326	256 JP	6	11	8	—	¾	9½	6	11	8	¾	9½	13	18	9	3¼	8¾	9¾
		284 JP																	
		286 JP																	
		324 JP																	
		326 JP																	
	1334	364 JP													18½				
8x8x12	1326	256 JP	8	13½	8	—	¾	11¾	8	13½	8	¾	11¾	14½	19½	11	4½	10½	13¾
		284 JP																	
		286 JP																	
		324 JP																	
		326 JP																	
	1334	364 JP													20				
10x10x12	1326	256 JP	10	16	12	—	7⁄8	14¼	10	16	12	7⁄8	14¼	16½	21½	11	5½	10¾	13¾
		284 JP																	
		286 JP																	
		324 JP																	
		326 JP																	
	1334	364 JP													22				
														22⅝					

Dimension DF will be larger on frame 364 and larger.