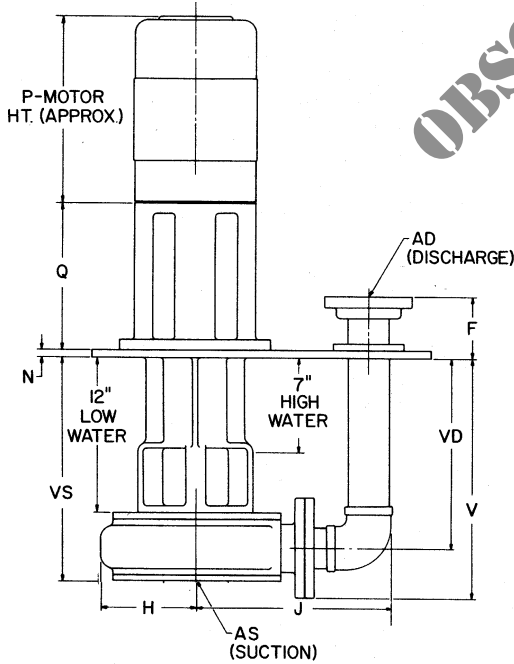


# VERTIFLO PUMP COMPANY Dimensions

## 624 - TCD Process Pump "C" Face Motor w/Discharge Pipe

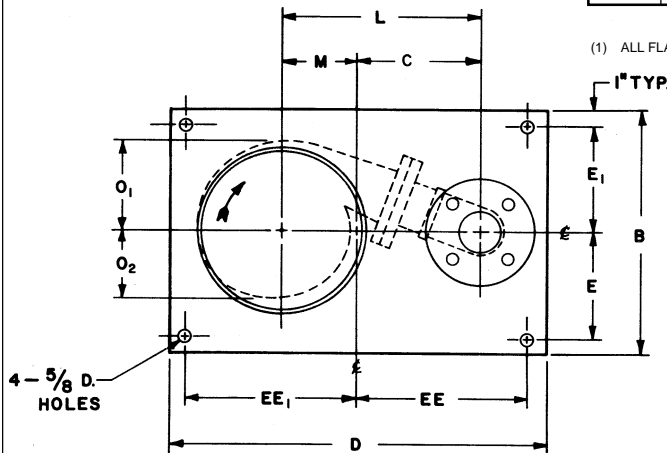
### PUMP DATA



SIZE	AD <sup>(1)</sup>	AS <sup>(1)</sup>	B	D	E <sub>1</sub>	EE <sub>1</sub>	F	H	J	L <sup>(2)</sup>	M	N	O <sub>1</sub>	O <sub>2</sub>	V	VD	VS	C
3x2½x7	2½	3	18	26	8	12	4	5½	13½	11½	3⅞	½	6	5⅝	17⅝	14½	16½	7¾
	3						14¼		12	4⅞	7⅞							
1½x1x8	1	1½	18	26	8	12	3½	5¼	10⅝	9⅝	3¼	½	5½	5¼	15¾	13⅝	15¼	6⅝
	1½						11¼		10	3¼	6½							
1½x1¼x8	1½	1½	18	26	8	12	3½	5⅝	11¼	10	3¼	½	5⅝	5¼	16	13⅝	15½	6¾
	2						11⅞		10⅝	3⅝	7							
2x1½x8	1½	2	18	26	8	12	3½	5½	11¼	10	3¼	½	5⅝	5¼	16⅞	13⅝	15¾	6¾
	2						11⅞		10⅝	3⅝	7							
3x2x8	2	2½	18	26	8	12	4	5⅞	12⅝	11⅝	3⅝	½	6¼	5½	16¾	13¾	16	7¾
	3						14¼		11⅞	4⅞	7¾							
4x3x8	3	4	18	26	8	12	5	6⅞	15⅝	13⅝	6⅞	½	6⅝	5¾	17⅞	14⅞	16⅞	7¼
	4						16⅝		13⅞	6⅝	7¼							
5x4x8	4	5	21	30	9½	14	5½	7¼	17¼	14½	5¼	½	8¼	6⅝	18⅞	14⅝	17¼	8¾
	5						18⅝		15	6¼	8¾							
2x1½x10	1½	2	18	26	8	12	3½	6⅞	12½	11¼	3½	½	6¾	6⅝	16⅞	13⅝	15⅝	7¾
	2						13		11½	3¾	7¾							
3x2x10	2	3	18	26	8	12	4	6⅞	13⅞	12⅝	4⅞	½	7¼	6½	16¾	13¾	16	7¾
	3						15½		12⅞	5⅞	8¾							
4x3x10	3	4	21	30	9½	14	5	7¼	17¼	15	6⅞	½	7¾	6⅝	17¾	14	16½	8½
	4						18¼		15½	7	8¾							
5x4x10	4	5	24	36	11	17	5½	7¾	19¼	16½	7¼	¾	8¾	7½	18¾	14¼	17	9¼
	5						20⅝		17	7¾	9¾							
6x5x10	5	6	24	36	11	17	5½	8⅞	20⅞	17½	8¼	¾	9⅝	7½	19¼	14¼	17⅞	9¼
	6						22⅞		18	8¾	9¾							
6x6x10	6	6	28	42	13	20	5½	10¼	22½	18½	8⅞	¾	11⅝	8¾	20	14½	17⅞	10¼
	8						25		19⅝	8¾	10⅞							
6x6x10A	6	6	28	42	13	20	5½	10¼	25	19⅝	8¾	¾	11⅝	8¾	20	14½	17⅞	10⅞
	8						25		19⅝	8¾	10⅞							
2x1½x12	1½	2	20	26	9	12	3½	8	13⅞	12	3½	½	8¾	7⅞	16	13½	17¼	9⅞
	2						14½		13	3⅞	9⅞							

(1) ALL FLANGES ARE 125° ANS

(2) DIMENSIONS VARIES DUE TO THREADED FITTINGS



### MOTOR DATA

FRAME	P	Q
56 C	12½	9⅞
143 TC - 145 TC	12½	9⅞
182 TC - 184 TC	13½	11⅝
213 TC - 215 TC	17	11⅝
254 TC - 256 TC	22	11⅝
284 TC - 286 TC	24	12
324 TSC - 326 TSC	26	12⅞

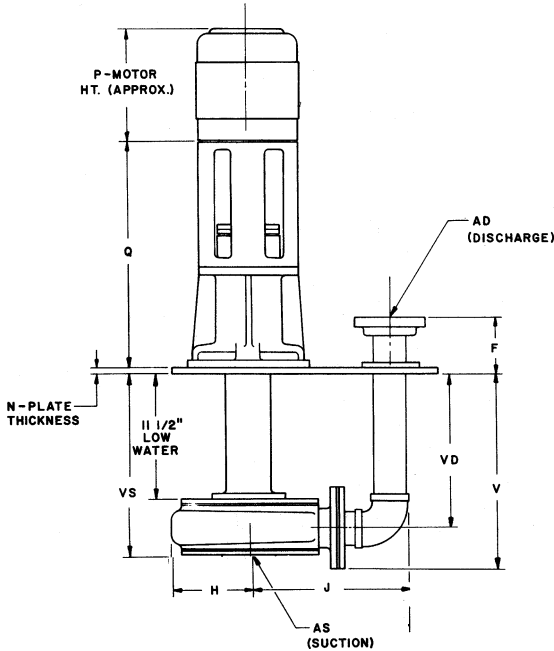
Not for construction unless certified, some dimensions may vary ± 1/2". Pump Construction: \_\_\_\_\_

CUSTOMER \_\_\_\_\_ CUSTOMER NO. \_\_\_\_\_  
 PROJECT \_\_\_\_\_ SERIAL NO. \_\_\_\_\_  
 ENGINEER \_\_\_\_\_ LOCATION \_\_\_\_\_  
 CONTRACTOR \_\_\_\_\_  
 PUMP Model \_\_\_\_\_ Size \_\_\_\_\_ Curve No. \_\_\_\_\_ GPM \_\_\_\_\_ Head \_\_\_\_\_ SP. GR. @Temp. \_\_\_\_\_  
 DATA \_\_\_\_\_  
 MOTOR Mfg. \_\_\_\_\_ HP \_\_\_\_\_ RPM \_\_\_\_\_ Volt-Phase-Cycle \_\_\_\_\_ Frame ENC. \_\_\_\_\_ Furnished by \_\_\_\_\_ Mounted by \_\_\_\_\_  
 DATA \_\_\_\_\_  
 Shop Order \_\_\_\_\_ Certified by \_\_\_\_\_ Date \_\_\_\_\_

# VERTIFLO PUMP COMPANY Dimensions

## 629 - TCD Process Pump "C" Face Motor w/Discharge Pipe

### PUMP DATA

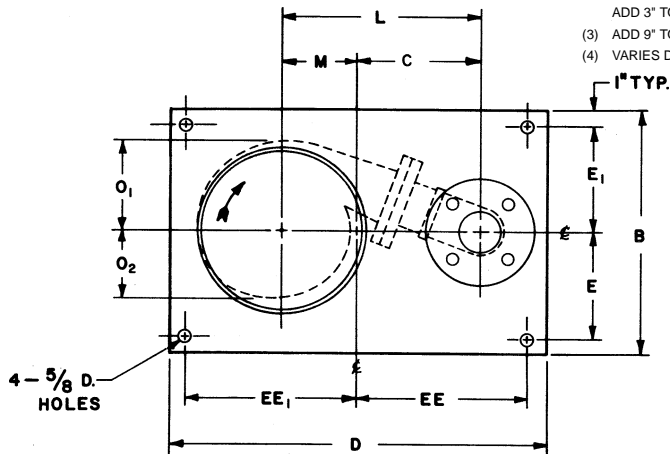


SIZE	(1) AD	(1) AS	B	D	E <sub>1</sub>	EE <sub>1</sub>	(4) F	(4) H	(4) J	(4) L	M	N	O <sub>1</sub>	O <sub>2</sub>	(3) (2) V	(3) (2) VD	(3) (2) VS	C
3x2½x7	2½ 3	3	18	26	8	12	4 5	5½	13½ 14½	11½ 12	3⅞ 4⅞	½	6	5⅞	17⅞	14½	16½	7¼ 7⅞
1½x1x8	1 1½	1½	18	26	8	12	3½ 4	5¼	11½ 11⅞	9⅞ 10⅞	3¼ 3⅞	½	5½	5¼	15¾	13⅞	15¼	6⅞ 6½
1½x1¼x8	1½ 2	1½	18	26	8	12	3½ 4	5½	11¼ 11⅞	10 10⅞	3¼ 3⅞	½	5½	5¼	16	13⅞	15½	6⅞ 7
2x1½x8	1½ 2	2	18	26	8	12	4 4	5½	11¼ 11⅞	10 10⅞	3¼ 3⅞	½	5½	5¼	16½	13⅞	15¾	6⅞ 7
3x2x8	2 3	2½	18	26	8	12	4 4	5⅞	12⅞ 14⅞	11⅞ 11⅞	3⅞ 4⅞	½	6¼	5½	16¾	13¾	16	7¾
4x3x8	3 4	4	18	26	8	12	5 4½	6⅞	15⅞ 16⅞	13⅞ 13⅞	6⅞ 6⅞	½	6⅞	5¾	17⅞	14⅞	16⅞	7¼
5x4x8	4 5	5	21	30	9½	14	5½ 5½	7¼	17¼ 18⅞	14½ 15	5¾ 6¼	½	8¼	6⅞	18⅞	14⅞	17¼	8¾
2x1½x10	1½ 2	2	18	26	8	12	3½ 4	6⅞	12½ 13	11¼ 11½	3½ 3¾	½	6¾	6⅞	16½	13⅞	15⅞	7¾
3x2x10	2 3	3	18	26	8	12	4 4	6⅞	13⅞ 15½	12⅞ 12⅞	4⅞ 5⅞	½	7¼	6½	16¾	13¾	16	7¾
4x3x10	3 4	4	21	30	9½	14	5 4½	7¼	17¼ 18¼	15 15½	6½ 7	½	7¾	6⅞	17¾	14	16½	8½
5x4x10	4 5	5	24	36	11	17	5½ 5½	7¾	19¼ 20⅞	16½ 17	7¼ 7¾	¾	8¾	7	18¾	14¼	17	9¼
6x5x10	5	6	24	36	11	17	5½	8⅞	20⅞	17½	8¼	¾	9¾	7½	19¼	14¼	17⅞	9¼
6x5x10 <sub>A</sub>	6	6	24	36	11	17	5½	8⅞	22	18	8¾	¾	9¾	7½	19¼	14¼	17⅞	9¼
6x6x10	6	6	28	42	13	20	5½	10¼	22½	18½	8⅞	¾	11⅞	8¾	20	14½	17⅞	10⅞
6x6x10 <sub>A</sub>	8	6	28	42	13	20	5½	10¼	25	19⅞	8¾	¾	11⅞	8¾	20	14½	17⅞	10⅞
2x1½x12	1½ 2	2	20	26	9	12	3½ 4	8	13⅞ 14½	12⅞ 13	3½ 3⅞	½	8¾	7⅞	16	13½	17¼	9⅞ 9⅞

- (1) ALL FLANGES ARE 125" ANSI
- (2) ALL DIMENSIONS FOR 12" EXTENSION  
ADD 3" TO "V" DIMENSION FOR 15" EXTENSION
- (3) ADD 9" TO "V" DIMENSION FOR 21" EXTENSION
- (4) VARIES DUE TO THREADED FITTINGS

### MOTOR DATA

FRAME	P	Q
56 C	12½	18⅞
143 TC	12½	18⅞
145 TC	12½	18⅞
182-184 TC	13½	20½
213 TC	15½	20½
215 TC	17	20½
254 TC	20⅞	20½
256 TC	21⅞	20½
284 TC	22⅞	21¼
286 TC	23⅞	21¼
324 TC	24¾	21¾
326 TC	26⅞	21¾
364 TC	26½	22⅞
365 TC	27½	22⅞

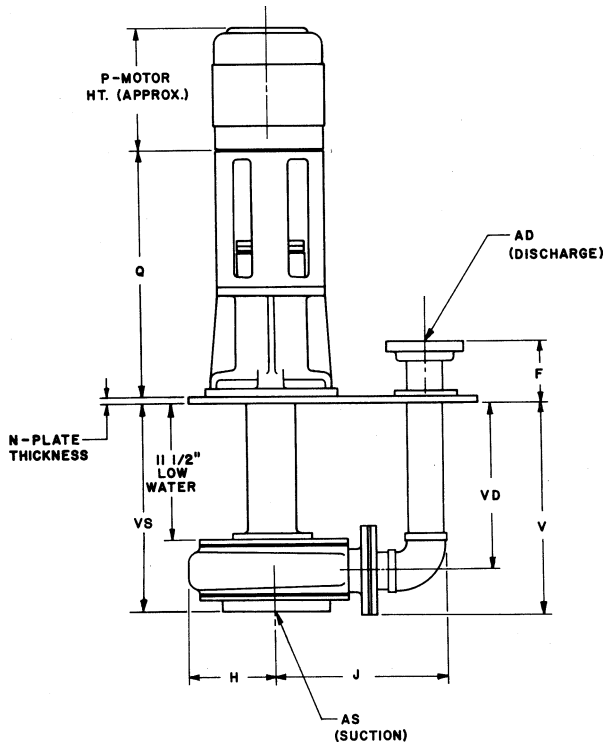


Not for construction unless certified, some dimensions may vary ± 1/2". Pump Construction: \_\_\_\_\_

CUSTOMER \_\_\_\_\_ CUSTOMER NO. \_\_\_\_\_  
 PROJECT \_\_\_\_\_ SERIAL NO. \_\_\_\_\_  
 ENGINEER \_\_\_\_\_ LOCATION \_\_\_\_\_  
 CONTRACTOR \_\_\_\_\_  
 PUMP Model Size Curve No. GPM Head SP. GR. @Temp. Pump Length Plate  
 DATA \_\_\_\_\_  
 MOTOR Mfr. HP RPM Volt-Phase-Cycle Frame ENC. Furnished by Mounted by  
 DATA \_\_\_\_\_  
 Shop Order \_\_\_\_\_ Certified by \_\_\_\_\_ Date \_\_\_\_\_

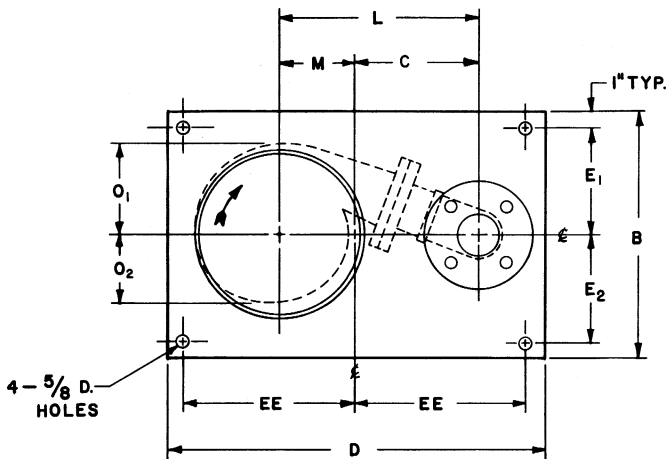
# VERTIFLO PUMP COMPANY Dimensions

## 636 - TCP Process Pump "C" Face Motor w/Discharge Pipe



### PUMP DATA

SIZE	3x2x12	4x3x12	6x4x12 6x4x12A	6x6x12	8x8x12
AD	2   3	3   4	4   5   6	6   8	8
C	10 1/2	10 1/2	11 7/8	12	15
AS	3	4	6	6	8
B	24	24	24	28	32
D	36	36	36	42	48
E <sub>1</sub>	11	11	12	14	17
E <sub>2</sub>	11	11	10	12	13
EE	17	17	17	20	23
<sup>(1)</sup> F	5	6	6	5 1/2	6 5/8
H	8	8 1/2	9 3/8	10 1/4	13
<sup>(1)</sup> J	15 3/4   17 1/4	18   19	17 3/4   21   22	22 3/4   25	28 7/8
<sup>(1)</sup> L	14 1/4   15	15 3/4   16 5/8	17   17 1/2   18	18 3/4   19 5/8	23
<sup>(1)</sup> M	3 3/4   4 1/2	5 1/4   5 5/8	5 5/8   5 5/8   6 1/8	6 3/4   7 5/8	8
N	5/8	5/8	5/8	5/8	5/8
O <sub>1</sub>	7 3/4	9	10	11	14 1/8
O <sub>2</sub>	8 3/8	8 1/8	8 5/8	9 1/2	11
V	17   17 1/4	17 1/4   18	18 1/8   18 1/8   19 1/8	19 3/8   20 5/8	20 7/8
VD	14	13 1/2	13 5/8	13 7/8	14 1/8
VS	16 1/4	15 7/8	16 3/8	17 1/8	18 5/8



### MOTOR DATA

FRAME	P	Q
56 C	12 1/2	20 1/2
143 TC	12 1/8	20 1/2
145 TC	12 1/2	20 1/2
182-184 TC	13 1/2	20 1/2
213 TC	15 1/2	20 1/2
215 TC	17	20 1/2
254 TC	20 1/8	20 1/2
256 TC	21 1/8	20 1/2
284 TC	22 3/8	21 1/4
286 TC	23 3/8	21 1/4
324 TC	24 3/4	21 3/4
326 TC	26 1/8	21 3/4
364 TC	26 1/2	22 3/8
365 TC	27 1/2	22 3/8

Not for construction unless certified, some dimensions may vary ± 1/2". Pump Construction: \_\_\_\_\_

CUSTOMER \_\_\_\_\_ CUSTOMER NO. \_\_\_\_\_  
 PROJECT \_\_\_\_\_ SERIAL NO. \_\_\_\_\_  
 ENGINEER \_\_\_\_\_ LOCATION \_\_\_\_\_  
 CONTRACTOR \_\_\_\_\_  
 PUMP Model \_\_\_\_\_ Size \_\_\_\_\_ Curve No. \_\_\_\_\_ GPM \_\_\_\_\_ Head \_\_\_\_\_ SP. GR. @Temp. \_\_\_\_\_ Pump Length \_\_\_\_\_ Plate  
 DATA \_\_\_\_\_  
 MOTOR Mfr. \_\_\_\_\_ HP \_\_\_\_\_ RPM \_\_\_\_\_ Volt-Phase-Cycle \_\_\_\_\_ Frame ENC. \_\_\_\_\_ Furnished by \_\_\_\_\_ Mounted by  
 DATA \_\_\_\_\_  
 Shop Order \_\_\_\_\_ Certified by \_\_\_\_\_ Date \_\_\_\_\_