

# VERTIFLO

*The Vertical Pump Specialists*

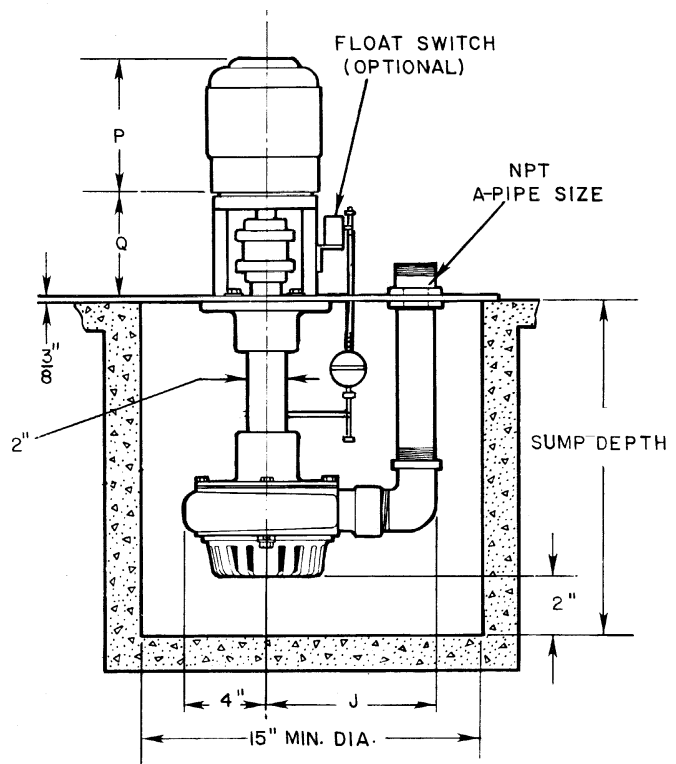
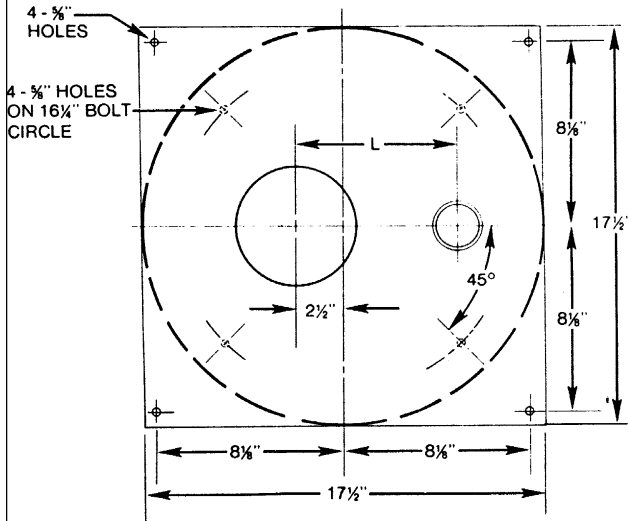
## PUMPS FOR INDUSTRY

### CONTENTS:

Introduction & User List
Product Overview
Vertical Process Pumps ..... Series 600
Vertical Sewage Pumps ..... Series 700
<b>Vertical Sump Pumps ..... Series 800</b>
Vertical Vortex Pumps ..... Series 900
Vertical Cantilever Pumps ..... Series 1100 and 1200
Horizontal End Suction Pumps-Centrifugal ..... Series 1300 and 1400
Horizontal End Suction Pumps-Vortex ..... Series 1500 and 1600
Horizontal Self-priming Pumps- Centrifugal ..... Series 2100
Engineering Sample Specifications

# VERTIFLO PUMP COMPANY Dimensions

## 814 Simplex Sump Pump



### PUMP DATA

SIZE	A	C	J	L
1 1/2 x 1 x 6	1	2 to 12 Feet*	7 1/2	6 1/2
	1 1/2		8 1/4	7
2 x 1 1/2 x 6	1 1/2	2 to 12 Feet*	8 1/2	7 1/4
	2		9 1/4	7 3/4

\* Sump Depth is in 1 Foot Increments

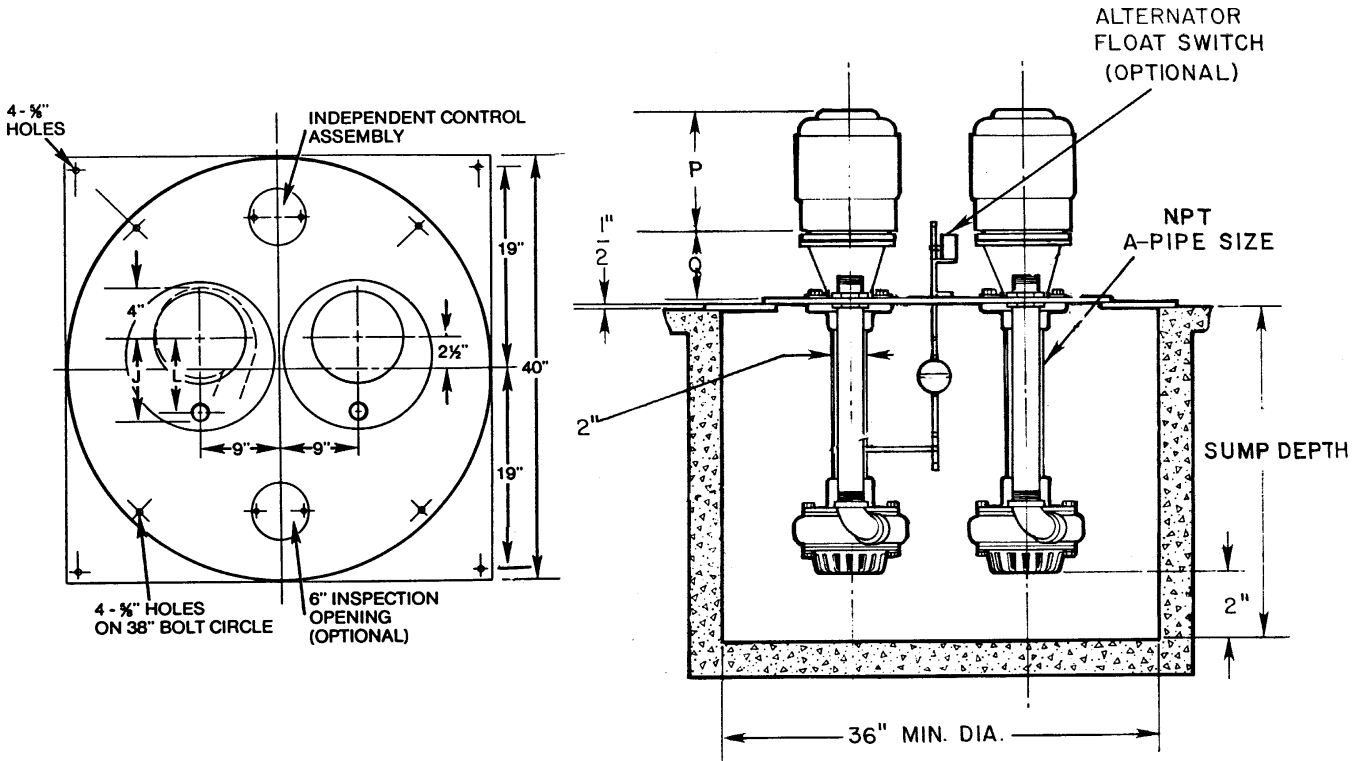
### MOTOR DATA

FRAME	P	Q
56 C	12 1/8	5 5/8
143 TC - 145TC	12 1/4	5 5/8
182TC - 184TC	15 7/16	6 5/8
213TC - 215TC	16 1/16	6 5/8

Not for construction unless certified, some dimensions may vary  $\pm 1/2"$ . Pump Construction: \_\_\_\_\_

CUSTOMER \_\_\_\_\_ CUSTOMER NO. \_\_\_\_\_  
 PROJECT \_\_\_\_\_ SERIAL NO. \_\_\_\_\_  
 ENGINEER \_\_\_\_\_ LOCATION \_\_\_\_\_  
 CONTRACTOR \_\_\_\_\_  
 PUMP Model Size Curve No. GPM Head SP. GR. @Temp. Pump Length Plate  
 DATA \_\_\_\_\_  
 MOTOR Mfgr. HP RPM Volt-Phase-Cycle Frame ENC. Furnished by Mounted by  
 DATA \_\_\_\_\_  
 Shop Order \_\_\_\_\_ Certified by \_\_\_\_\_ Date \_\_\_\_\_

## 814 Duplex Sump Pump



### PUMP DATA

SIZE	A	C	J	L
1 1/2 x 1 x 6	1	2 to 12 Feet*	7 1/2	6 1/2
	1 1/2		8 1/4	7
2 x 1 1/2 x 6	1 1/2		8 1/2	7 1/4
	2		9 1/4	7 3/4

### MOTOR DATA

FRAME	P	Q
56 C	12 1/8	5 5/8
143 TC - 145TC	12 1/4	5 5/8
182TC - 184TC	15 7/16	6 3/8
213TC - 215TC	16 1 1/16	6 3/8

\* Sump Depth is in 1 Foot Increments

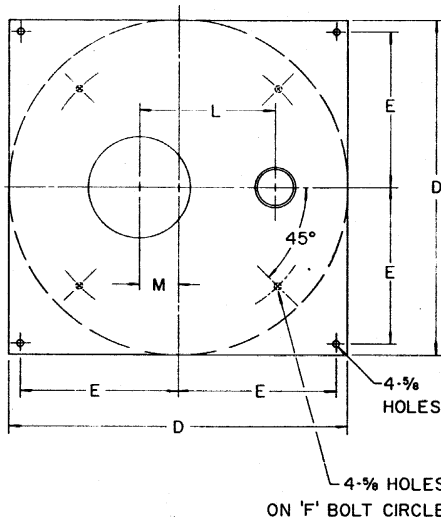
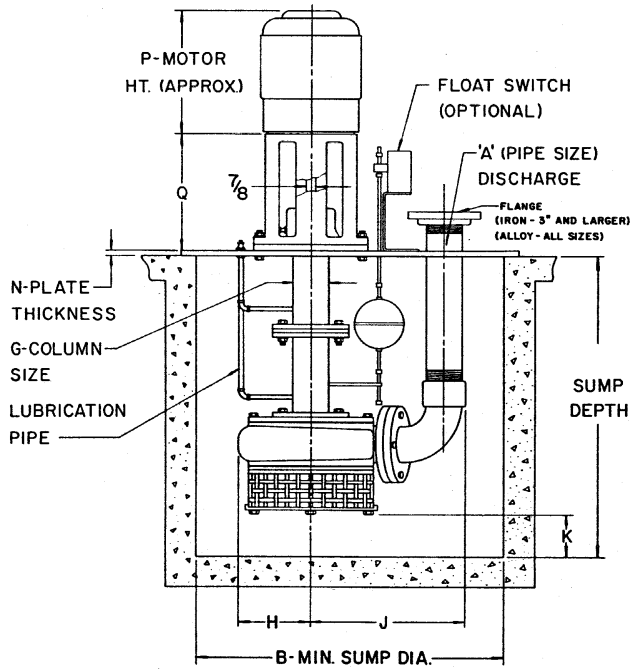
Not for construction unless certified, some dimensions may vary  $\pm 1/2"$ . Pump Construction: \_\_\_\_\_

CUSTOMER \_\_\_\_\_ CUSTOMER NO. \_\_\_\_\_  
 PROJECT \_\_\_\_\_ SERIAL NO. \_\_\_\_\_  
 ENGINEER \_\_\_\_\_ LOCATION \_\_\_\_\_  
 CONTRACTOR \_\_\_\_\_  
 PUMP Model Size Curve No. GPM Head SP. GR. @Temp. Pump Length Plate  
 DATA \_\_\_\_\_  
 MOTOR Mfg. HP RPM Volt-Phase-Cycle Frame ENC. Furnished by Mounted by  
 DATA \_\_\_\_\_  
 Shop Order \_\_\_\_\_ Certified by \_\_\_\_\_ Date \_\_\_\_\_

# VERTIFLO PUMP COMPANY Dimensions

## 800-S Simplex Sump Pump

### PUMP DATA



SIZE	MODEL	A	B	C	D	E	F	G	H	J	K <sup>(2)</sup>	L	M	N
3x2 1/2 x 7	820-S	2 1/2	24	2 TO 26" IN 1" INCREMENTS	28	13	26	4	5 1/2	13 1/2	2 7/8	11 1/2	4 1/4	3/8
		3								14 1/4	12	9 1/2	3/8	
1 1/2 x 1 x 8	820-S	1	24							10 5/8	4 1/8	9 5/8	4 1/4	3/8
		1 1/2								11 1/8	4 1/8	10	4 1/4	3/8
1 1/2 x 1 1/4 x 8	820-S	1 1/2	24							11 1/8	3 1/8	10 3/8	4 1/4	3/8
		2								12	3 1/8	10 3/8	4 1/4	3/8
2 x 1 1/2 x 8	820-S	1 1/2	24							11 1/8	3 3/4	10 3/8	4 1/4	3/8
		2								12	3 3/4	10 3/8	4 1/4	3/8
3 x 2 x 8	820-S	2 1/2	24							12 5/8	3 3/8	11 1/8	4 1/4	3/8
		3								13 3/8	3 3/8	11 1/8	4 1/4	3/8
4 x 3 x 8	820-S	4	24							15 5/8	1 1/2	13 7/8	5 1/4	3/8
		4								16 5/8	1 1/2	13 7/8	5 1/4	3/8
5 x 4 x 8	820-S	5	30							17 1/8	1 1/8	14 1/2	6 1/8	3/8
		5								17 3/8	1 1/8	15	6 1/8	3/8
2 x 1 1/2 x 10	820-S	1 1/2	34							12 1/2	5	11 1/2	4 1/4	3/8
		2								13	5	11 1/2	4 1/4	3/8
3 x 2 x 10	820-S	2 1/2	24							13 3/4	5	12 5/8	4 1/4	3/8
		3								14 3/4	5	12 5/8	4 1/4	3/8
4 x 3 x 10	820-S	4	30							17 1/8	2 1/4	15 1/4	6 1/8	3/8
		4								17 3/8	2 1/4	15 1/4	6 1/8	3/8
5 x 4 x 10	824-S	5	30	19 1/8	1 1/8	17	6 1/8	3/8						
		5		19 3/8	1 1/8	17	6 1/8	3/8						
6 x 5 x 10	824-S	6	36	20 7/8	1 1/8	17 1/2	6 1/4	1/2						
		6		21 7/8	1 1/8	18	6 1/4	1/2						
6 x 6 x 10	824-S	6	36	22 1/2	1 1/8	18 1/2	7 1/4	1/2						
		6		22 7/8	1 1/8	19 1/2	7 1/4	1/2						
6 x 6 x 10A	824-S	8	36	25	7/8	19 3/4	7 1/4	1/2						
		8		25 1/2	7/8	19 3/4	7 1/4	1/2						
2 x 1 1/2 x 12	824-S	1 1/2	24	12 7/8	2 1/8	12	4 1/4	3/8						
		2		13 7/8	2 1/8	12	4 1/4	3/8						
3 x 2 x 12	824-S	3	36	15 3/4	2	15	6	1/2						
		3		16 3/4	2	15	6	1/2						
4 x 3 x 12	824-S	4	36	18	1 3/8	16 1/4	6	1/2						
		4		18 1/2	1 3/8	16 1/4	6	1/2						

FRAME	P	Q
56 C	10 7/16	12
143 TC	10	12
145 TC	10 7/16	12
182 - 184 TC	13 1/2	12
213 TC	15 1/2	12
215 TC	17	12
254 TC	20 1/8	12
256 TC	21 7/8	12
284 TC	22 3/8	13
286 TC	23 7/8	13
324 TC	24 3/4	13 1/2
326 TC	26 1/8	13 1/2
364 TC	26 1/2	16 5/8
365 TC	27 1/2	16 5/8

### MOTOR DATA

"K" dimension shown is for a pump built for a 2' through 6' pit depth. For each additional column section, subtract 3/8" from "K."

Not for construction unless certified, some dimensions may vary ± 1/2". Pump Construction: \_\_\_\_\_

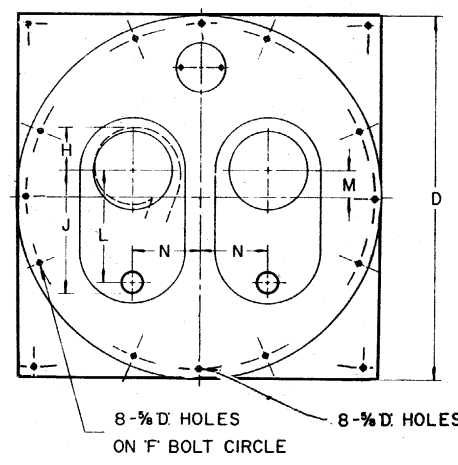
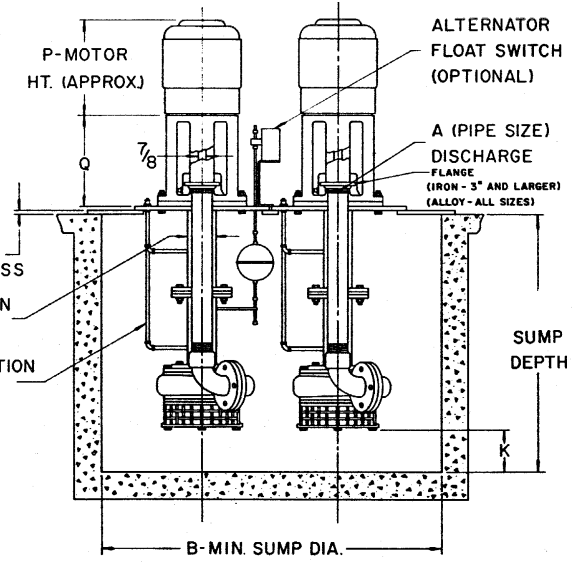
CUSTOMER \_\_\_\_\_ CUSTOMER NO. \_\_\_\_\_  
 PROJECT \_\_\_\_\_ SERIAL NO. \_\_\_\_\_  
 ENGINEER \_\_\_\_\_ LOCATION \_\_\_\_\_  
 CONTRACTOR \_\_\_\_\_  
 PUMP Model Size Curve No. GPM Head SP. GR. @Temp. Pump Length Plate  
 DATA \_\_\_\_\_  
 MOTOR Mfgr. HP RPM Volt-Phase-Cycle Frame ENC. Furnished by Mounted by  
 DATA \_\_\_\_\_  
 Shop Order \_\_\_\_\_ Certified by \_\_\_\_\_ Date \_\_\_\_\_

# VERTIFLO PUMP COMPANY Dimensions

## 800-S Duplex Sump Pump

### PUMP DATA

SIZE	MODEL	A	B	C	D	F	G	H	J	K <sup>(2)</sup>	L	M	N
3x2½x7	820-S	2½/3	48	2' TO 20' IN 1' INCREMENTS	54	51	4	5½	13½/14½	27/12	11½/12	8¾	10½
1½x1x8	820-S	1½	48		54	51	4	5¾	10½/11½	4½/9¾	9½/9¾	8¾	10½
1½x1¼x8	820-S	1½/2	48		54	51	4	5¾	11½/12	3½/10¾	10/10¾	8¾	10½
2x1½x8	820-S	1½/2	48		54	51	4	5¾	11½/12	3¾/10¾	10/10¾	8¾	10½
3x2x8	820-S	2/2½	48		54	51	4	5¾	12½/13¾	3¾/11½	11½/11½	8¾	10½
4x3x8	820-S	3/4	48		54	51	4	6	15½/16¾	1½/13¾	13¾/13¾	8¾	10½
5x4x8	820-S	4/5	54		60	57	4	7	17½/18¾	1½/15	14½/15	8½	11
2x1½x10	820-S	1½/2	48		54	51	4	6½	12½/13	5/11½	11¼/11½	8¾	10½
3x2x10	820-S	2/2½	48		54	51	4	6¾	13½/14½	5/12¾	12¾/12¾	8¾	10½
4x3x10	820-S	3/4	54		60	57	4	6¾	17/18	2¾/15¼	14¾/15¼	11½	11
5x4x10	824-S	4/5	54		60	57	4	7¾	19¼/20¾	1½/17	16½/17	13	11
6x5x10	824-S	5/6	60		66	63	4	8	20¾/21¾	1½/18	17½/18	13	12½
6x6x10	824-S	6/8	60		66	63	4	9½	22½/25	7/8	18½/19¾	12½	12½
2x1½x12	824-S	1½/2	48		54	51	4	7¾	12½/13½	2½/12	11½/12	8¾	10½
3x2x12	824-S	2/3	54		60	57	4	8	15¾/17½	2½/15	14¼/15	12	11
4x3x12	824-S	3/4	54		60	57	4	8	18/19	2½/16¾	15¾/16¾	12	11



### MOTOR DATA

FRAME	P	Q
56 C	10½/16	12
143 TC	10	12
145 TC	10½/16	12
182 - 184 TC	13½	12
213 TC	15½	12
215 TC	17	12
254 TC	20½	12

FRAME	P	Q
256 TC	21¾	12
284 TC	22¾	13
286 TC	23¾	13
324 TC	24¾	13½
326 TC	26½	13½
364 TC	26½	16¾
365 TC	27½	16¾

"K" dimension shown is for a pump built for a 2' through 6' pit depth. For each additional column section, subtract 3/8" from "K."

Not for construction unless certified, some dimensions may vary ± 1/2". Pump Construction: \_\_\_\_\_

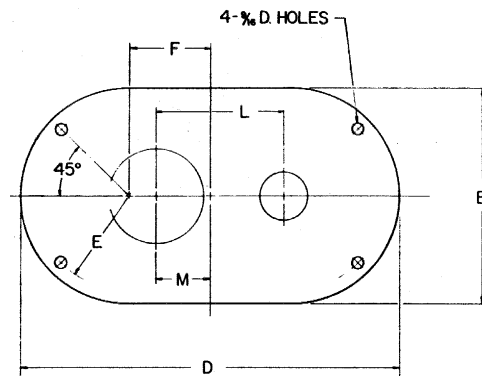
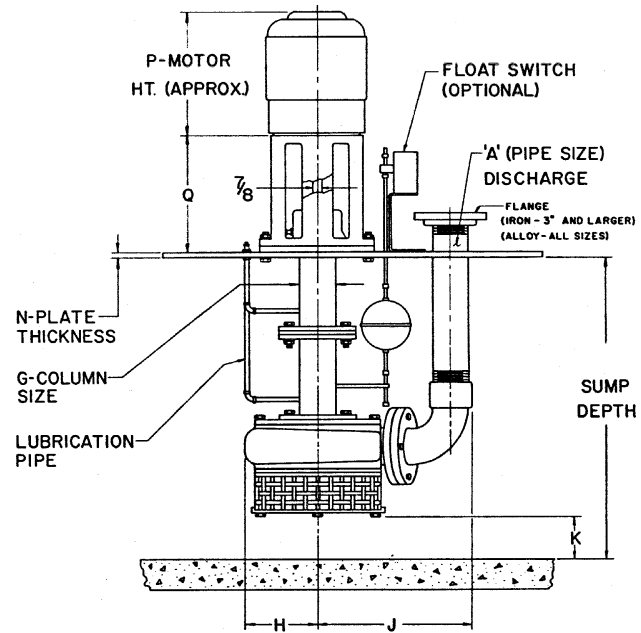
CUSTOMER \_\_\_\_\_ CUSTOMER NO. \_\_\_\_\_  
 PROJECT \_\_\_\_\_ SERIAL NO. \_\_\_\_\_  
 ENGINEER \_\_\_\_\_ LOCATION \_\_\_\_\_  
 CONTRACTOR \_\_\_\_\_  
 PUMP Model \_\_\_\_\_ Size \_\_\_\_\_ Curve No. \_\_\_\_\_ GPM \_\_\_\_\_ Head \_\_\_\_\_ SP. GR. @ Temp. \_\_\_\_\_ Pump Length \_\_\_\_\_ Plate DATA \_\_\_\_\_  
 MOTOR Mfg. \_\_\_\_\_ HP \_\_\_\_\_ RPM \_\_\_\_\_ Volt-Phase-Cycle \_\_\_\_\_ Frame ENC. \_\_\_\_\_ Furnished by \_\_\_\_\_ Mounted by DATA \_\_\_\_\_  
 Shop Order \_\_\_\_\_ Certified by \_\_\_\_\_ Date \_\_\_\_\_

# VERTIFLO PUMP COMPANY Dimensions

## 800-S Basic Sump Pump

### PUMP DATA

SIZE	MODEL	A	B	C	D	E	F	G	H	J	K <sup>(2)</sup>	L	M	N
3x2 1/2x7	820-S	2 1/2 3	18	2' TO 20' IN 1' INCREMENTS	26	8	4	4	5 1/2	13 1/2 14 1/2	2 7/8	11 1/8 12	4 3/4	3 5/8
1 1/2x1x8	820-S	1 1 1/2	18		26	8	4	4	5 3/4	10 5/8 11 1/8	4 1/4	9 5/8 9 7/8	4 3/4	3 5/8
1 1/2x1 1/4x8	820-S	1 1/2 2	18		26	8	4	4	5 3/4	11 3/8 12	3 1/2	10 10 3/8	4 3/4	3 5/8
2x1 1/2x8	820-S	1 1/2 2	18		26	8	4	4	5 3/4	11 3/8 12	3 3/4	10 10 3/8	4 3/4	3 5/8
3x2x8	820-S	2 2 1/2	18		26	8	4	4	5 3/4	12 3/8 13 3/8	3 3/8	11 1/8 11 1/2	4 3/4	3 5/8
4x3x8	820-S	3 4	18		26	8	4	4	6	15 5/8 16 3/8	1 1/2	13 3/8 13 7/8	4 3/4	3 5/8
5x4x8	820-S	4 5	21		30	9 1/2	4 1/2	4	7	17 1/8 17 3/8	1 1/8	14 1/2 15	6 1/2	3 5/8
2x1 1/2x10	820-S	1 1/2 2	18		26	8	4	4	6 1/2	12 1/2 13	5	11 1/4 11 1/2	4 3/4	3 5/8
3x2x10	820-S	2 2 1/2	18		26	8	4	4	6 3/8	13 3/4 14 1/2	5	12 3/8 12 3/8	4 3/4	3 5/8
4x3x10	820-S	3 4	21		30	9 1/2	4 1/2	4	7	17 1/8 18	2 3/4	14 7/8 15 1/4	6 1/2	3 5/8
5x4x10	824-S	4 5	24		34	9 1/2	6 1/2	4	7 3/8	19 1/4 20 3/8	1 1/8	16 1/2 17	7	1 1/2
6x5x10 6x5x10A	824-S	5 6	21		34	9 1/2	6 1/2	4	8	20 7/8 21 7/8	1 1/8	17 1/2 18	7	1 1/2
6x6x10 6x6x10A	824-S	6 8	24		39	11	7 1/2	4	9 1/2	22 1/2 25	7/8	18 1/2 19 3/8	8	1 1/2
2x1 1/2x12	824-S	1 1/2 2	20		26	9	3	4	7 3/8	12 7/8 13 1/2	2 1/8	11 5/8 12	4 1/4	3 5/8
3x2x12	824-S	2 3	21		34	9 1/2	6 1/2	4	8	15 3/4 17 1/4	2	14 1/4 15	6	1 1/2
4x3x12	824-S	3 4	21		34	9 1/2	6 1/2	4	8	18 19	1 3/8	15 3/4 16 1/4	6	1 1/2



"K" dimension shown is for a pump built for a 2' through 6' pit depth. For each additional column section, subtract 3/8" from "K."

### MOTOR DATA

FRAME	P	Q
56 C	10 7/16	12
143 TC	10	12
145 TC	10 7/16	12
182 - 184 TC	13 1/2	12
213 TC	15 1/2	12
215 TC	17	12
254 TC	20 1/8	12

FRAME	P	Q
256 TC	21 1/8	12
284 TC	22 3/8	13
286 TC	23 3/8	13
324 TC	24 3/4	13 1/2
326 TC	26 1/8	13 1/2
364 TC	26 1/2	16 5/8
365 TC	27 1/2	16 5/8

Not for construction unless certified, some dimensions may vary ± 1/2". Pump Construction: \_\_\_\_\_

CUSTOMER \_\_\_\_\_ CUSTOMER NO. \_\_\_\_\_  
 PROJECT \_\_\_\_\_ SERIAL NO. \_\_\_\_\_  
 ENGINEER \_\_\_\_\_ LOCATION \_\_\_\_\_  
 CONTRACTOR \_\_\_\_\_  
 PUMP Model Size Curve No. GPM Head SP. GR. @Temp. Pump Length Plate  
 DATA \_\_\_\_\_  
 MOTOR Mfr. HP RPM Volt-Phase-Cycle Frame ENC. Furnished by Mounted by  
 DATA \_\_\_\_\_  
 Shop Order \_\_\_\_\_ Certified by \_\_\_\_\_ Date \_\_\_\_\_

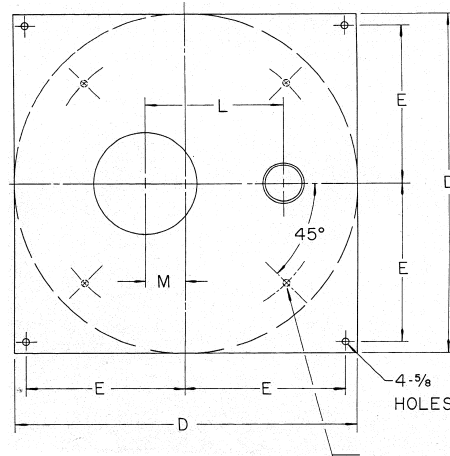
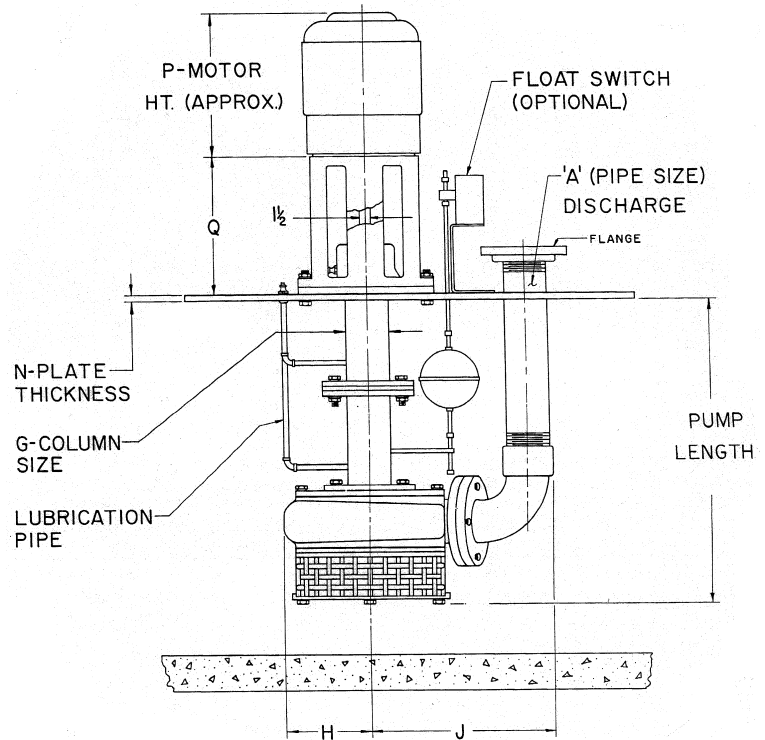
## 832 Simplex Sump Pump

### PUMP DATA

SIZE	MDL	A	B	D	E	F	G	H	J	L	M	N
6x4x12	832	4							19 <sup>3</sup> / <sub>4</sub>	17		
		5	36	40	19	38	6	9	20 <sup>7</sup> / <sub>8</sub>	17 <sup>1</sup> / <sub>2</sub>	6 <sup>7</sup> / <sub>8</sub>	1/2
		6							22	18		
6x6x12	832	6	36	40	19	38	6	9 <sup>1</sup> / <sub>2</sub>	22 <sup>3</sup> / <sub>4</sub>	18 <sup>3</sup> / <sub>4</sub>	7 <sup>1</sup> / <sub>8</sub>	1/2
		8	40	54	26	52			25 <sup>1</sup> / <sub>4</sub>	19 <sup>7</sup> / <sub>8</sub>		
8x8x12	832	8	40	54	26	52	6	12 <sup>1</sup> / <sub>2</sub>	28 <sup>3</sup> / <sub>8</sub>	23	8 <sup>1</sup> / <sub>2</sub>	1/2
		10							30 <sup>3</sup> / <sub>8</sub>	24 <sup>1</sup> / <sub>8</sub>		

### MOTOR DATA

FRAME	P	Q
56 C	12 <sup>1</sup> / <sub>8</sub>	12
143 - 145 TC	12 <sup>1</sup> / <sub>4</sub>	12
182 - 184 TC	15 <sup>7</sup> / <sub>16</sub>	12
213 - 215 TC	16 <sup>11</sup> / <sub>16</sub>	14 <sup>1</sup> / <sub>4</sub>
254 - 256 TC	20	14 <sup>1</sup> / <sub>4</sub>
284 - 286 TC	20 <sup>1</sup> / <sub>8</sub>	14 <sup>5</sup> / <sub>8</sub>
324 - 326 TSC	25	16 <sup>5</sup> / <sub>8</sub>
364 - 365 TSC	25 <sup>1</sup> / <sub>4</sub>	16 <sup>5</sup> / <sub>8</sub>
404 - 405 TSC	28	18 <sup>5</sup> / <sub>8</sub>



Not for construction unless certified, some dimensions may vary  $\pm 1/2$ ". Pump Construction: \_\_\_\_\_

CUSTOMER \_\_\_\_\_ CUSTOMER NO. \_\_\_\_\_  
 PROJECT \_\_\_\_\_ SERIAL NO. \_\_\_\_\_  
 ENGINEER \_\_\_\_\_ LOCATION \_\_\_\_\_  
 CONTRACTOR \_\_\_\_\_  
 PUMP Model Size Curve No. GPM Head SP. GR. @Temp. Pump Length Plate  
 DATA \_\_\_\_\_  
 MOTOR Mfg. HP RPM Volt-Phase-Cycle Frame ENC. Furnished by Mounted by  
 DATA \_\_\_\_\_  
 Shop Order \_\_\_\_\_ Certified by \_\_\_\_\_ Date \_\_\_\_\_