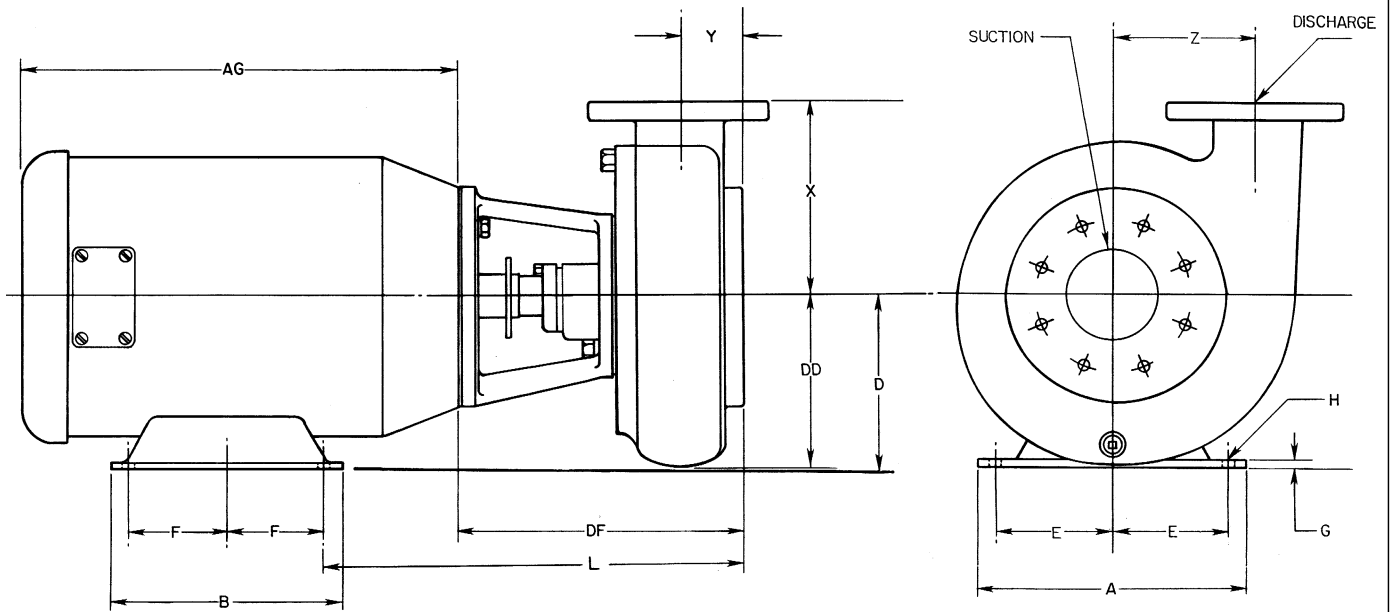


**1300 Series - 8" Line**



**MOTOR DATA**

FRAME	A	B	D	E	F	G	H	AG
143 JP	6½	6	3½	2¾	2	1/8	11/32	97/16
145 JP	6½	6	3½	2¾	2½	1/8	11/32	97/16
182 JP	8¾	6¾	4½	3¾	2¼	3/8	13/32	13½
184 JP	8¾	6¾	4½	3¾	2¾	3/8	13/32	13½
213 JP	9½	7¾	5¼	4¼	2¾	5/8	13/32	15½
215 JP	9½	8¾	5¼	4¼	3½	5/8	13/32	17
254 JP	11¾	10 11/16	6¼	5	4½	11/16	17/32	20 1/8
256 JP	11¾	12 7/16	6¼	5	5	11/16	17/32	21 7/8
284 JP	12 7/8	12¼	7	5½	4¾	¾	17/32	22 3/8

Dimensions Based on TEFC, JP Frame Motors.

Not for construction unless certified, some dimensions may vary ± 1/2". Pump Construction: \_\_\_\_\_

**1300**

CUSTOMER \_\_\_\_\_ CUSTOMER NO. \_\_\_\_\_  
 PROJECT \_\_\_\_\_ SERIAL NO. \_\_\_\_\_  
 ENGINEER \_\_\_\_\_ LOCATION \_\_\_\_\_  
 CONTRACTOR \_\_\_\_\_  
 PUMP Model \_\_\_\_\_ Size \_\_\_\_\_ Curve No. \_\_\_\_\_ GPM \_\_\_\_\_ Head \_\_\_\_\_ SP. GR. @Temp. \_\_\_\_\_  
 DATA \_\_\_\_\_  
 MOTOR Mfg. \_\_\_\_\_ HP \_\_\_\_\_ RPM \_\_\_\_\_ Volt-Phase-Cycle \_\_\_\_\_ Frame ENC. \_\_\_\_\_  
 DATA \_\_\_\_\_  
 Shop Order \_\_\_\_\_ Certified by \_\_\_\_\_ Date \_\_\_\_\_