

## 1. Motor Support

Assures positive alignment of motor and pump shaft with register fit. Normal thrust, vertical NEMA C face motor standard. Fabricated steel chair mount is an option.

## 2. External Impeller Adjustment

Locking jack screws provide impeller adjustment without dismantling pump or piping

## 3. Bearings

Grease lubricated, heavy-duty ball bearings- Double row thrust bearing standard

## 4. Power Frame

Heavy duty cast iron, line bored and machined to assure correct alignment of rotating element

## 5. Column Closure

Replaceable lip seals prevent moisture and dirt from entering lower bearing

## 6. Cover Plate

Designed for specific unit. Carbon steel standard, alloy plates optional

## 7. Positive Machine Fits

Machined registered fits of column, power frame, throttle housing and casing

## 8. Column Pipe

Schedule 40 steel pipe with welded flanges

## 9. Shaft

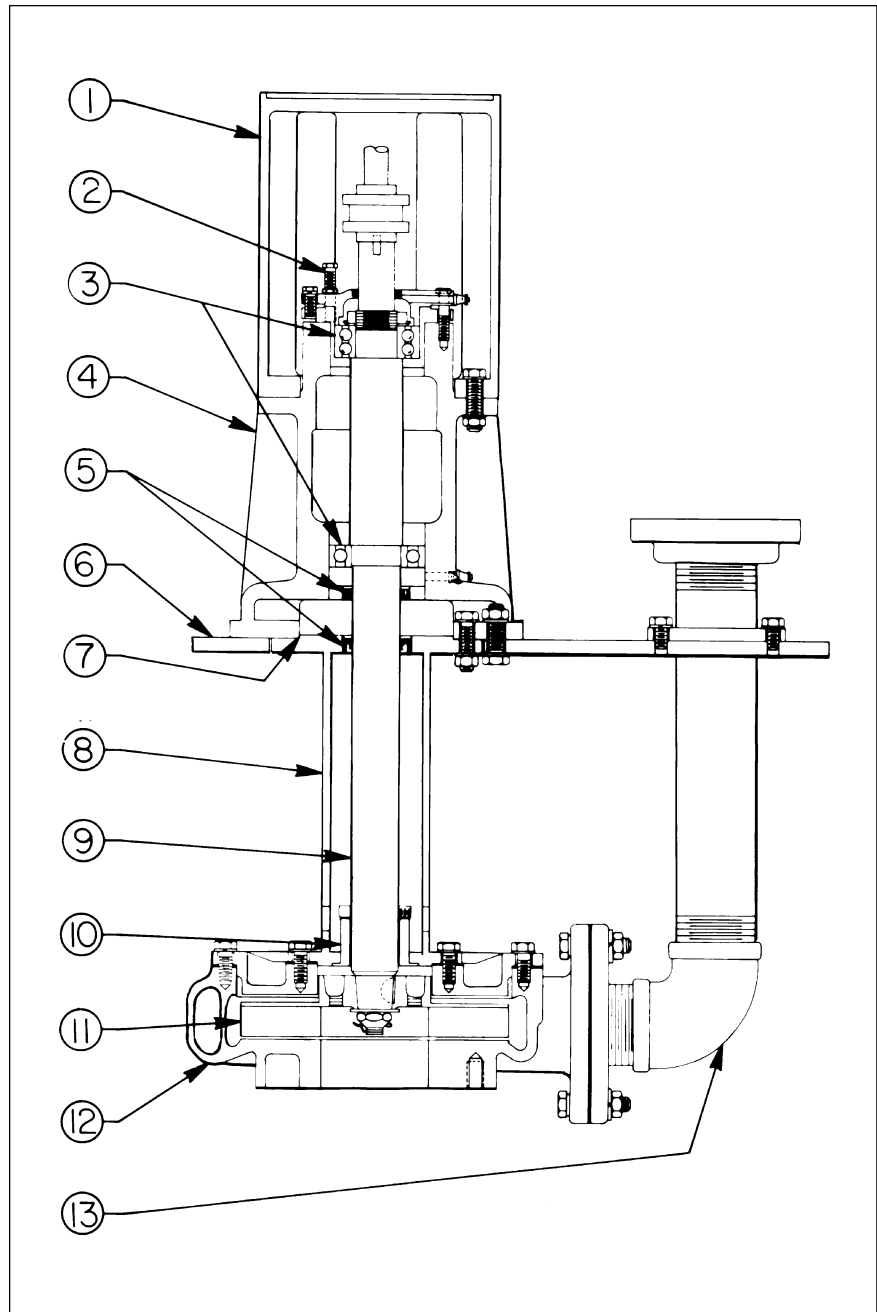
Accurately machined, stress-proof steel assures minimum deflection

## 10. Throttle Bushing

Register fit assures positive alignment between column and casing. Throttle bushing restricts flow of liquid entering column.

## 11. Impeller

Semi-open design with balancing ring and wiping vanes for wide range of applications. Secured to shaft by taper fit with woodruff key, castellated nut and cotter pin



## 12. Casing

Flanged suction and discharge. Double volute design on all 4 X 3 X 10 and larger sizes

## 13. Discharge Pipe

1" - 2 1/2" threaded; 3" and larger flanged