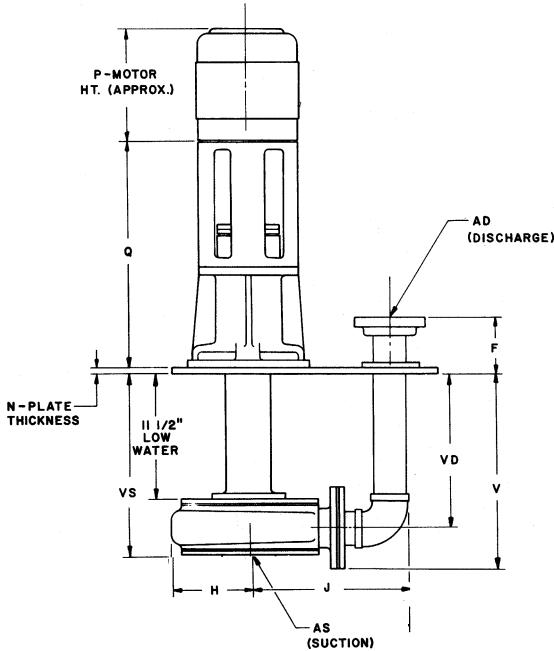


629 - TCD Process Pump "C" Face Motor w/Discharge Pipe

PUMP DATA

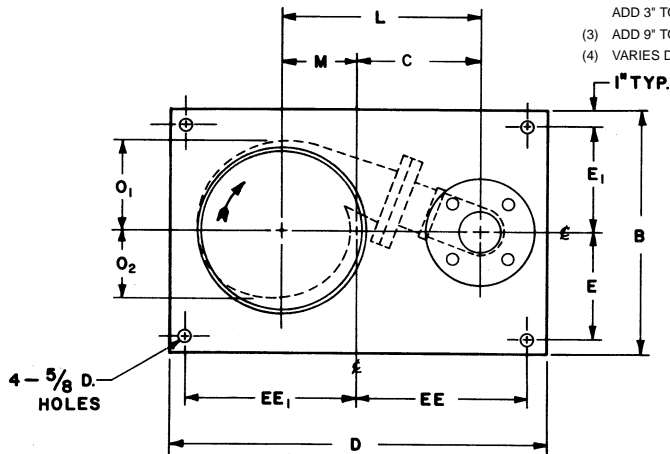


SIZE	(1) AD	(1) AS	B	D	E ₁	EE ₁	(4) F	(4) H	(4) J	(4) L	M	N	O ₁	O ₂	(3) (2) V	(3) (2) VD	(3) (2) VS	C
3x2½x7	2½ 3	3	18	26	8	12	4 5	5½	13½ 14½	11½ 12	3⅞ 4⅞	½	6	5⅞	17⅞	14½	16½	7¼ 7⅞
1½x1x8	1 1½	1½	18	26	8	12	3½ 4	5¼	11½ 11⅞	9⅞ 10⅞	3¼ 3⅞	½	5½	5¼	15¾	13⅞	15¼	6⅞ 6½
1½x1¼x8	1½ 2	1½	18	26	8	12	3½ 4	5½	11¼ 11⅞	10 10⅞	3¼ 3⅞	½	5½	5¼	16	13⅞	15½	6¼ 7
2x1½x8	1½ 2	2	18	26	8	12	4 4	5½	11¼ 11⅞	10 10⅞	3¼ 3⅞	½	5½	5¼	16½	13⅞	15¾	6¼ 7
3x2x8	2 3	2½	18	26	8	12	4 4	5⅞	12⅞ 14⅞	11⅞ 11⅞	3⅞ 4⅞	½	6¼	5½	16¾	13¾	16	7¾
4x3x8	3 4	4	18	26	8	12	5 4½	6⅞	15⅞ 16⅞	13⅞ 13⅞	6⅞ 6⅞	½	6⅞	5¾	17⅞	14⅞	16⅞	7¼
5x4x8	4 5	5	21	30	9½	14	5½ 5½	7¼	17¼ 18⅞	14½ 15	5¾ 6¼	½	8¼	6⅞	18⅞	14⅞	17¼	8¾
2x1½x10	1½ 2	2	18	26	8	12	3½ 4	6⅞	12½ 13	11¼ 11½	3½ 3¾	½	6¼	6⅞	16½	13⅞	15⅞	7¾
3x2x10	2 3	3	18	26	8	12	4 4	6⅞	13⅞ 15½	12⅞ 12⅞	4⅞ 5⅞	½	7¼	6½	16¾	13¾	16	7¾
4x3x10	3 4	4	21	30	9½	14	5 4½	7¼	17¼ 18¼	15 15½	6½ 7	½	7¾	6⅞	17¾	14	16½	8½
5x4x10	4 5	5	24	36	11	17	5½ 5½	7¾	19¼ 20⅞	16½ 17	7¼ 7¾	¾	8¾	7	18¾	14¼	17	9¼
6x5x10	5	6	24	36	11	17	5½	8⅞	20⅞	17½	8¼	¾	9¾	7½	19¼	14¼	17⅞	9¼
6x5x10 _A	6	6	24	36	11	17	5½	8⅞	22	18	8¾	¾	9¾	7½	19¼	14¼	17⅞	9¼
6x6x10	6	6	28	42	13	20	5½	10¼	22½	18½	8⅞	¾	11⅞	8¾	20	14½	17⅞	10⅞
6x6x10 _A	8	6	28	42	13	20	5½	10¼	25	19⅞	8¾	¾	11⅞	8¾	20	14½	17⅞	10⅞
2x1½x12	1½ 2	2	20	26	9	12	3½ 4	8	13⅞ 14½	12⅞ 13	3½ 3⅞	½	8¾	7⅞	16	13½	17¼	9⅞ 9⅞

- (1) ALL FLANGES ARE 125" ANSI
- (2) ALL DIMENSIONS FOR 12" EXTENSION
ADD 3" TO "V" DIMENSION FOR 15" EXTENSION
- (3) ADD 9" TO "V" DIMENSION FOR 21" EXTENSION
- (4) VARIES DUE TO THREADED FITTINGS

MOTOR DATA

FRAME	P	Q
56 C	12½	18⅞
143 TC	12½	18⅞
145 TC	12½	18⅞
182-184 TC	13½	20½
213 TC	15½	20½
215 TC	17	20½
254 TC	20⅞	20½
256 TC	21⅞	20½
284 TC	22⅞	21¼
286 TC	23⅞	21¼
324 TC	24¾	21¾
326 TC	26⅞	21¾
364 TC	26½	22⅞
365 TC	27½	22⅞



Not for construction unless certified, some dimensions may vary ± 1/2". Pump Construction: _____

CUSTOMER _____ CUSTOMER NO. _____
 PROJECT _____ SERIAL NO. _____
 ENGINEER _____ LOCATION _____
 CONTRACTOR _____
 PUMP Model Size Curve No. GPM Head SP. GR. @Temp. Pump Length Plate
 DATA _____
 MOTOR Mfr. HP RPM Volt-Phase-Cycle Frame ENC. Furnished by Mounted by
 DATA _____
 Shop Order _____ Certified by _____ Date _____