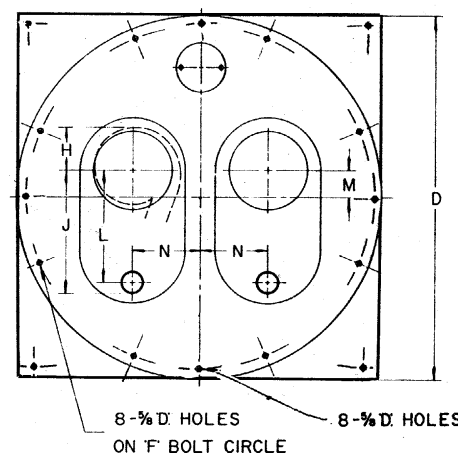
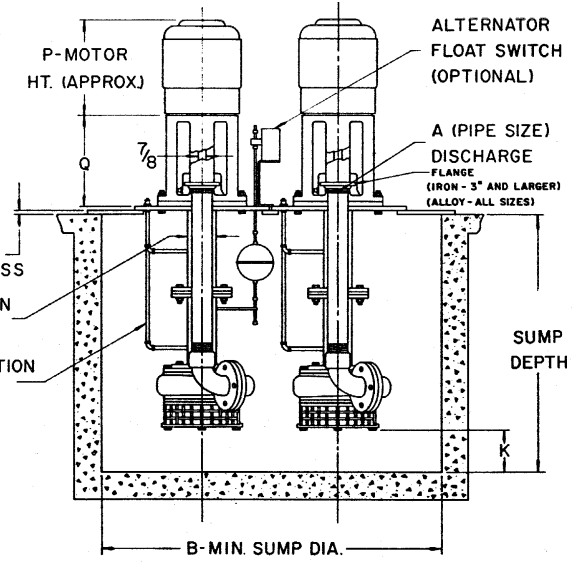


VERTIFLO PUMP COMPANY Dimensions

800-S Duplex Sump Pump

PUMP DATA

SIZE	MODEL	A	B	C	D	F	G	H	J	K ⁽²⁾	L	M	N
3x2½x7	820-S	2½/3	48	2' TO 20' IN 1' INCREMENTS	54	51	4	5½	13½/14½	27/12	11½/12	8¾	10½
1½x1x8	820-S	1½	48		54	51	4	5¾	10½/11½	4½/9¾	9½/9¾	8¾	10½
1½x1¼x8	820-S	1½/2	48		54	51	4	5¾	11½/12	3½/10¾	10/10¾	8¾	10½
2x1½x8	820-S	1½/2	48		54	51	4	5¾	11½/12	3¾/10¾	10/10¾	8¾	10½
3x2x8	820-S	2/2½	48		54	51	4	5¾	12½/13¾	3¾/11½	11½/11½	8¾	10½
4x3x8	820-S	3/4	48		54	51	4	6	15½/16¾	1½/13¾	13¾/13¾	8¾	10½
5x4x8	820-S	4/5	54		60	57	4	7	17½/18¾	1½/15	14½/15	8½	11
2x1½x10	820-S	1½/2	48		54	51	4	6½	12½/13	5/11½	11¼/11½	8¾	10½
3x2x10	820-S	2/2½	48		54	51	4	6¾	13½/14½	5/12¾	12¾/12¾	8¾	10½
4x3x10	820-S	3/4	54		60	57	4	6¾	17/18	2¾/15¼	14¾/15¼	11½	11
5x4x10	824-S	4/5	54		60	57	4	7¾	19¼/20¾	1½/17	16½/17	13	11
6x5x10	824-S	5/6	60		66	63	4	8	20¾/21¾	1½/18	17½/18	13	12½
6x6x10	824-S	6/8	60		66	63	4	9½	22½/25	7/8	18½/19¾	12½	12½
2x1½x12	824-S	1½/2	48		54	51	4	7¾	12½/13½	2½/12	11½/12	8¾	10½
3x2x12	824-S	2/3	54		60	57	4	8	15¾/17½	2½/15	14¼/15	12	11
4x3x12	824-S	3/4	54		60	57	4	8	18/19	2½/16¾	15¾/16¾	12	11



MOTOR DATA

FRAME	P	Q
56 C	10½/16	12
143 TC	10	12
145 TC	10½/16	12
182 - 184 TC	13½	12
213 TC	15½	12
215 TC	17	12
254 TC	20½	12

FRAME	P	Q
256 TC	21¾	12
284 TC	22¾	13
286 TC	23¾	13
324 TC	24¾	13½
326 TC	26½	13½
364 TC	26½	16¾
365 TC	27½	16¾

"K" dimension shown is for a pump built for a 2' through 6' pit depth. For each additional column section, subtract 3/8" from "K."

Not for construction unless certified, some dimensions may vary ± 1/2". Pump Construction: _____

CUSTOMER _____ CUSTOMER NO. _____
 PROJECT _____ SERIAL NO. _____
 ENGINEER _____ LOCATION _____
 CONTRACTOR _____
 PUMP Model _____ Size _____ Curve No. _____ GPM _____ Head _____ SP. GR. @ Temp. _____ Pump Length _____ Plate DATA _____
 MOTOR Mfg. _____ HP _____ RPM _____ Volt-Phase-Cycle _____ Frame ENC. _____ Furnished by _____ Mounted by _____
 Shop Order _____ Certified by _____ Date _____