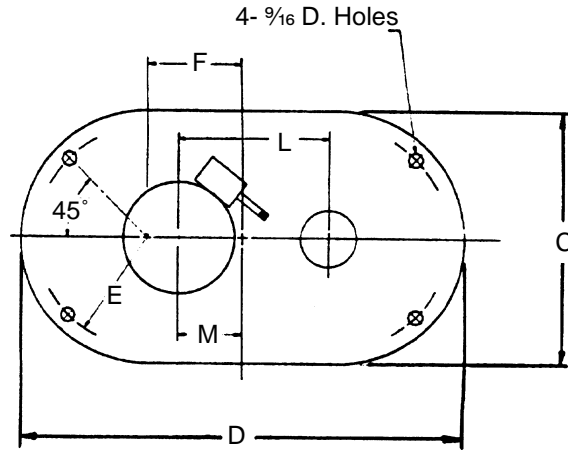


# VERIFLO PUMP COMPANY Dimensions

## 900 Series Basic Oval

### PUMP DATA

SIZE	MODEL	A	B	C	D	E	F	H	J	K	L	M	N	
1½x1½x10	920	1½	2 TO 20" IN 1" INCREMENTS	18	26	8	4	7½	13½	5¾	13¼	6½	¾	
		2							14		13¾			
2x2x10	920	2		21	30	9½	4½	7½	16½	17¾	3¼	14½	6½	¾
		3										15¾		
3x3x10	924	3		21	34	9	4½	7½	19	20¾	13¾	16¾	7	½
		4										17¾		
4x4x10	924	4		21	34	9½	4½	7¾	21½	23½	11¾	18¾	7	½
		6										19½		
8x6x10	924	6		24	39	11	7	8¾	23¾	26¾	8¾	20	8	½
		8										21¼		
4x4x13	924	4		24	39	11	7½	9¾	21½	24	10¾	18¾	8	½
		6										20		

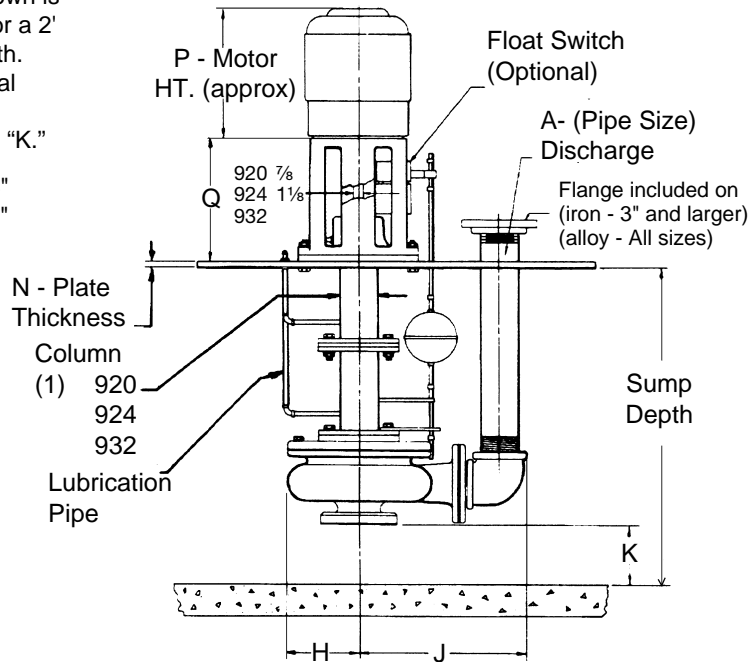


### MOTOR DATA

FRAME	P	Q
56 C	10 <sup>7</sup> / <sub>16</sub>	12
143 TC	10	12
145 TC	10 <sup>7</sup> / <sub>16</sub>	12
182 - 184 TC	13 <sup>1</sup> / <sub>2</sub>	12
213 TC	15 <sup>1</sup> / <sub>2</sub>	12
215 TC	17	12
254 TC	20 <sup>3</sup> / <sub>8</sub>	12
256 TC	21 <sup>3</sup> / <sub>8</sub>	12
284 TC	22 <sup>3</sup> / <sub>8</sub>	13
286 TC	23 <sup>3</sup> / <sub>8</sub>	13
324 TC	24 <sup>3</sup> / <sub>4</sub>	13 <sup>1</sup> / <sub>2</sub>
326 TC	26 <sup>1</sup> / <sub>8</sub>	13 <sup>1</sup> / <sub>2</sub>
364 TC	26 <sup>1</sup> / <sub>2</sub>	16 <sup>5</sup> / <sub>8</sub>
365 TC	27 <sup>1</sup> / <sub>2</sub>	16 <sup>5</sup> / <sub>8</sub>

"K" dimension shown is for a pump built for a 2' through 6' pit depth. For each additional column section, subtract 3/8" from "K."

(1) 920 + 924 = 4"  
932 = 6"



Not for construction unless certified, some dimensions may vary ± 1/2". Pump Construction: \_\_\_\_\_

CUSTOMER \_\_\_\_\_ CUSTOMER NO. \_\_\_\_\_  
 PROJECT \_\_\_\_\_ SERIAL NO. \_\_\_\_\_  
 ENGINEER \_\_\_\_\_ LOCATION \_\_\_\_\_  
 CONTRACTOR \_\_\_\_\_  
 PUMP Model Size Curve No. GPM Head SP. GR. @Temp. Pump Length Plate  
 DATA \_\_\_\_\_  
 MOTOR Mfgr. HP RPM Volt-Phase-Cycle Frame ENC. Furnished by Mounted by  
 DATA \_\_\_\_\_  
 Shop Order \_\_\_\_\_ Certified by \_\_\_\_\_ Date \_\_\_\_\_