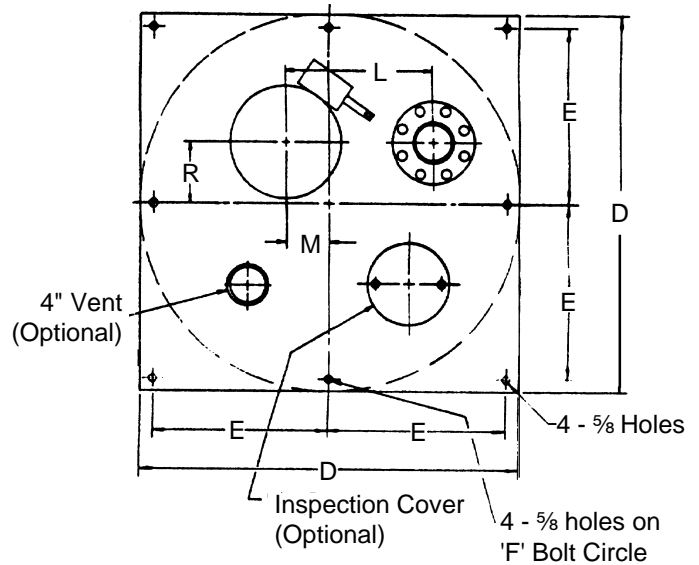


VERTIFLO PUMP COMPANY Dimensions

900 Series Simplex

PUMP DATA

SIZE	MODEL	A	B	C	D	E	F	H	J	K	L	M	N
1½x1½x10	920	1½	24	28	13	26	7½	13¾	5¾	13¼	6½	¾	
		2											
2x2x10	920	2	30	34	16	32	7½	16½	3¼	14½	6¾	¾	
		3											
3x3x10	924	3	30	34	16	32	7½	19	13¾	16¾	6¾	¾	
		4											
4x4x10	924	4	36	40	19	38	7¾	21½	11¾	18¾	7¼	½	
		6											
8x6x10	932	6	36	40	19	38	8¾	23¾	8¾	20	7¼	¾	
		8											
3x3x13	924	3	36	40	19	38	9¾	20¼	12½	18	7¼	¾	
		4											
4x4x13	932	4	36	40	19	38	9¾	21¾	10¾	18¾	7¼	¾	
		6											

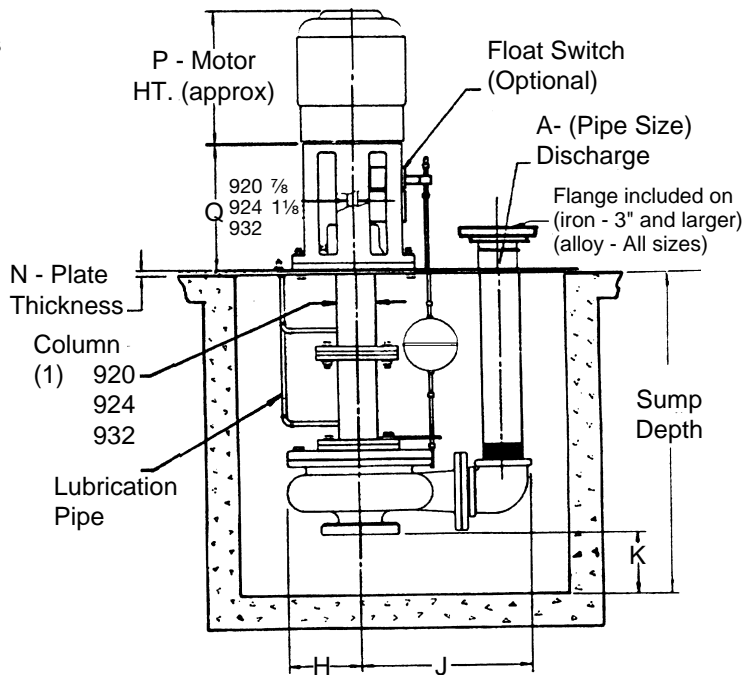


MOTOR DATA

FRAME	P	Q
56 C	10 ⁷ / ₁₆	20 ¹ / ₂
143 TC	10	20 ¹ / ₂
145 TC	10 ⁷ / ₁₆	20 ¹ / ₂
182 - 184 TC	13 ¹ / ₂	20 ¹ / ₂
213 TC	15 ¹ / ₂	20 ¹ / ₂
215 TC	17	20 ¹ / ₂
254 TC	20 ¹ / ₈	20 ¹ / ₂
256 TC	21 ⁷ / ₈	20 ¹ / ₂
284 TC	22 ³ / ₈	21 ¹ / ₄
286 TC	23 ⁷ / ₈	21 ¹ / ₄
324 TC	24 ³ / ₄	21 ¹ / ₄
326 TC	26 ¹ / ₈	21 ¹ / ₄
364 TC	26 ¹ / ₂	22 ³ / ₈
365 TC	27 ¹ / ₂	22 ³ / ₈

"K" dimension shown is for a pump built for a 2' through 6' pit depth. For each additional column section, subtract 3/8" from "K."

(1) 920 + 924 = 4"
932 = 6"



Not for construction unless certified, some dimensions may vary ± 1/2". Pump Construction: _____

CUSTOMER _____ CUSTOMER NO. _____
 PROJECT _____ SERIAL NO. _____
 ENGINEER _____ LOCATION _____
 CONTRACTOR _____
 PUMP Model _____ Size _____ Curve No. _____ GPM _____ Head _____ SP. GR. @Temp. _____ Pump Length _____ Plate
 DATA _____
 MOTOR Mfg. _____ HP _____ RPM _____ Volt-Phase-Cycle _____ Frame ENC. _____ Furnished by _____ Mounted by
 DATA _____
 Shop Order _____ Certified by _____ Date _____