

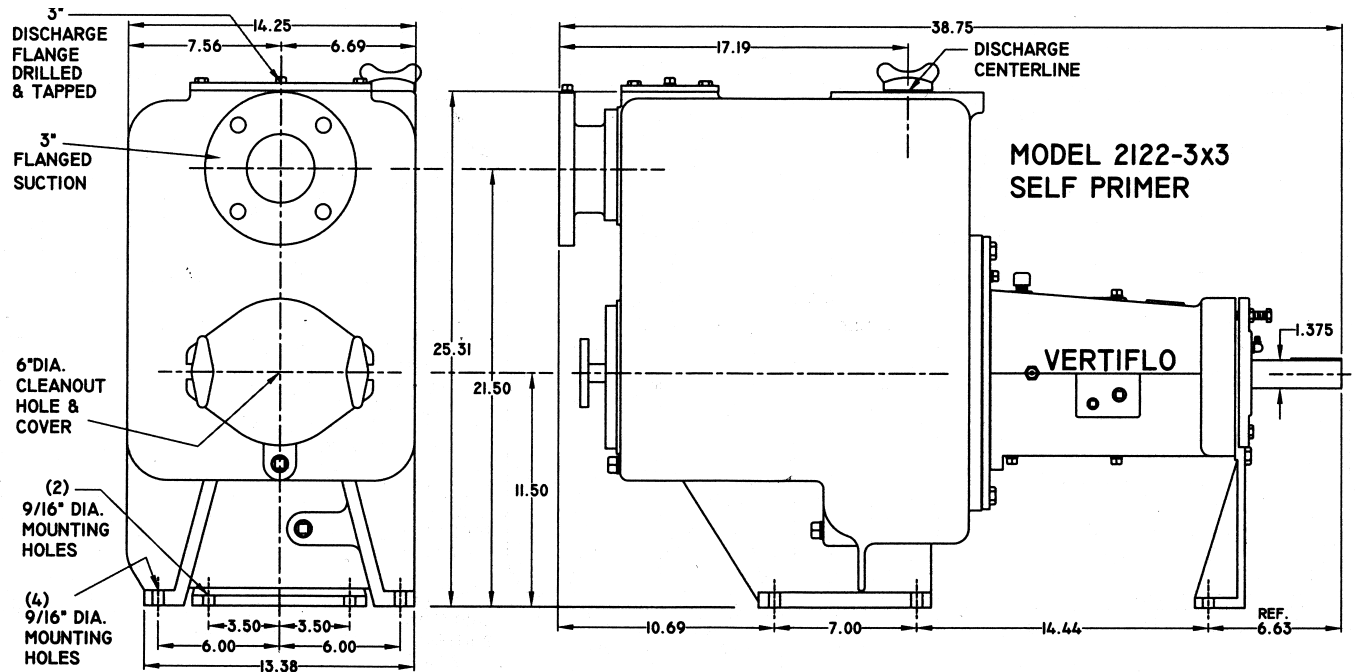
# VERTIFLO

*The Vertical Pump Specialists*

## PUMPS FOR INDUSTRY

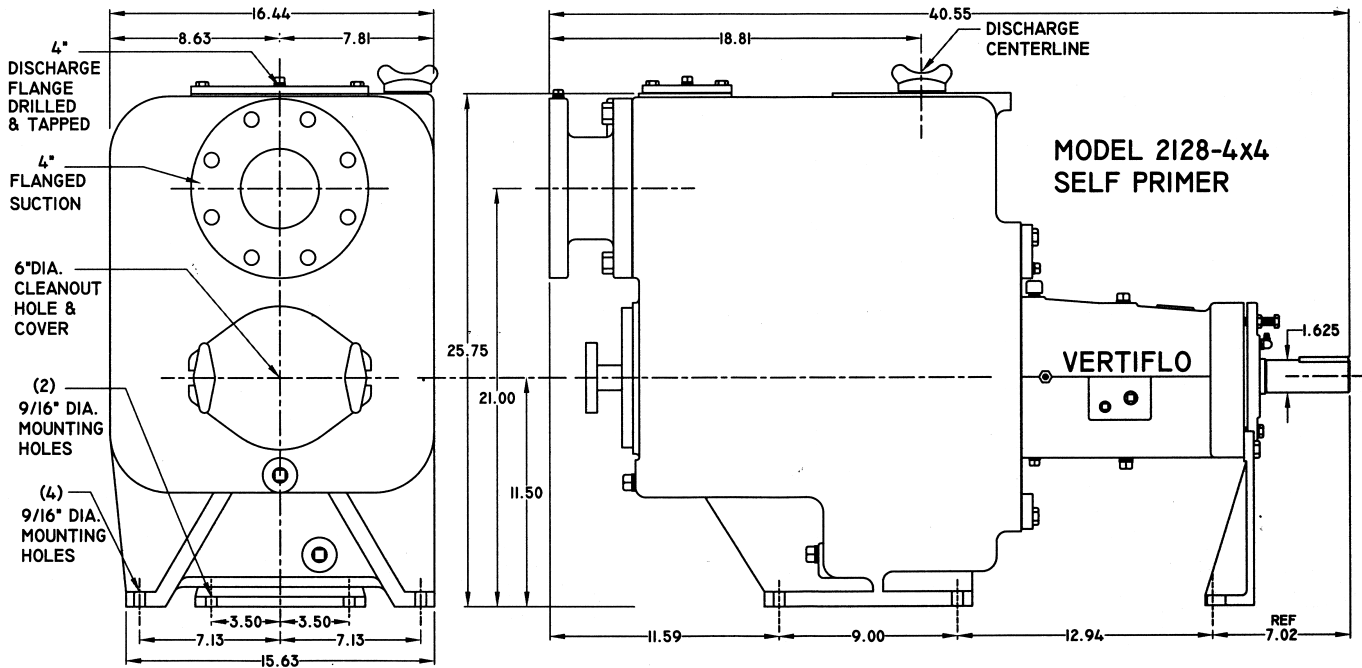
### CONTENTS:

Introduction & User List
Product Overview
Vertical Process Pumps ..... Series 600
Vertical Sewage Pumps ..... Series 700
Vertical Sump Pumps ..... Series 800
Vertical Vortex Pumps ..... Series 900
Vertical Cantilever Pumps ..... Series 1100 and 1200
Horizontal End Suction Pumps-Centrifugal ..... Series 1300 and 1400
Horizontal End Suction Pumps-Vortex ..... Series 1500 and 1600
<b>Horizontal Self-priming Pumps- Centrifugal ..... Series 2100</b>
Engineering Sample Specifications



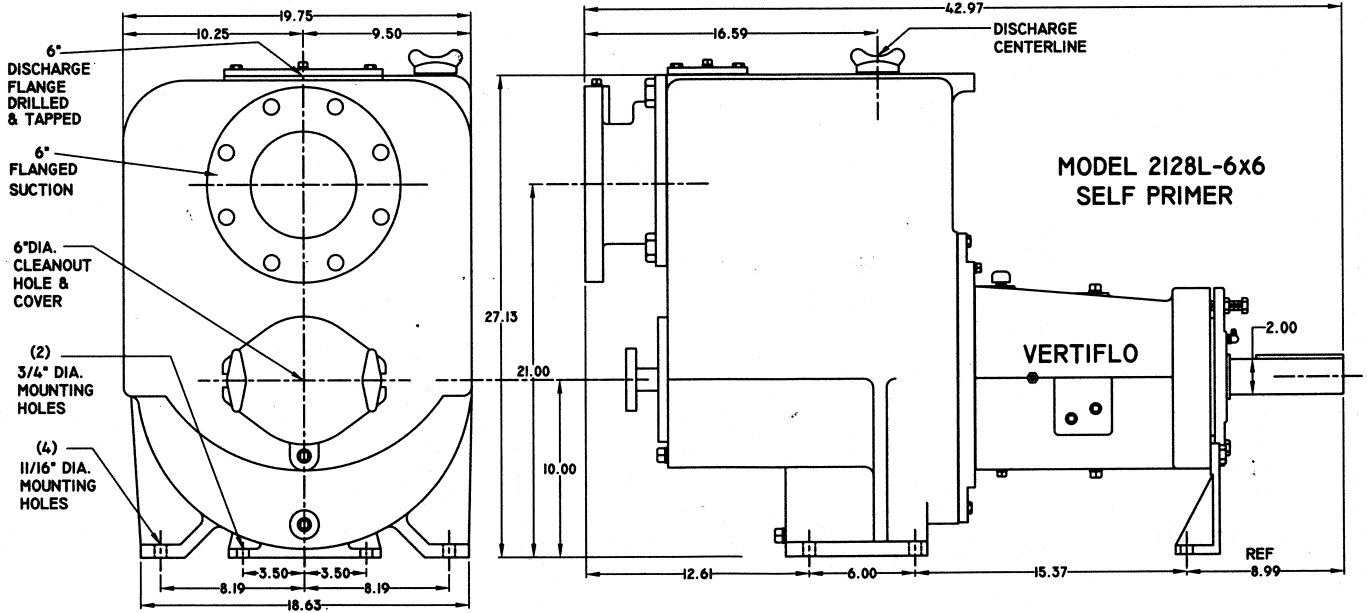
CUSTOMER \_\_\_\_\_ CUSTOMER NO. \_\_\_\_\_  
 PROJECT \_\_\_\_\_ SERIAL NO. \_\_\_\_\_  
 ENGINEER \_\_\_\_\_ LOCATION \_\_\_\_\_  
 CONTRACTOR \_\_\_\_\_  
 PUMP Model Size Curve No. GPM Head SP. GR. @Temp.  
 DATA \_\_\_\_\_  
 MOTOR Mfgr. HP RPM Volt-Phase-Cycle Frame ENC. Furnished by Mounted by  
 DATA \_\_\_\_\_  
 Shop Order \_\_\_\_\_ Certified by \_\_\_\_\_ Date \_\_\_\_\_

Revised 10-15-02



CUSTOMER \_\_\_\_\_ CUSTOMER NO. \_\_\_\_\_  
 PROJECT \_\_\_\_\_ SERIAL NO. \_\_\_\_\_  
 ENGINEER \_\_\_\_\_ LOCATION \_\_\_\_\_  
 CONTRACTOR \_\_\_\_\_  
 PUMP Model Size Curve No. GPM Head SP. GR. @Temp.  
 DATA \_\_\_\_\_  
 MOTOR Mfgr. HP RPM Volt-Phase-Cycle Frame ENC. Furnished by Mounted by  
 DATA \_\_\_\_\_  
 Shop Order \_\_\_\_\_ Certified by \_\_\_\_\_ Date \_\_\_\_\_

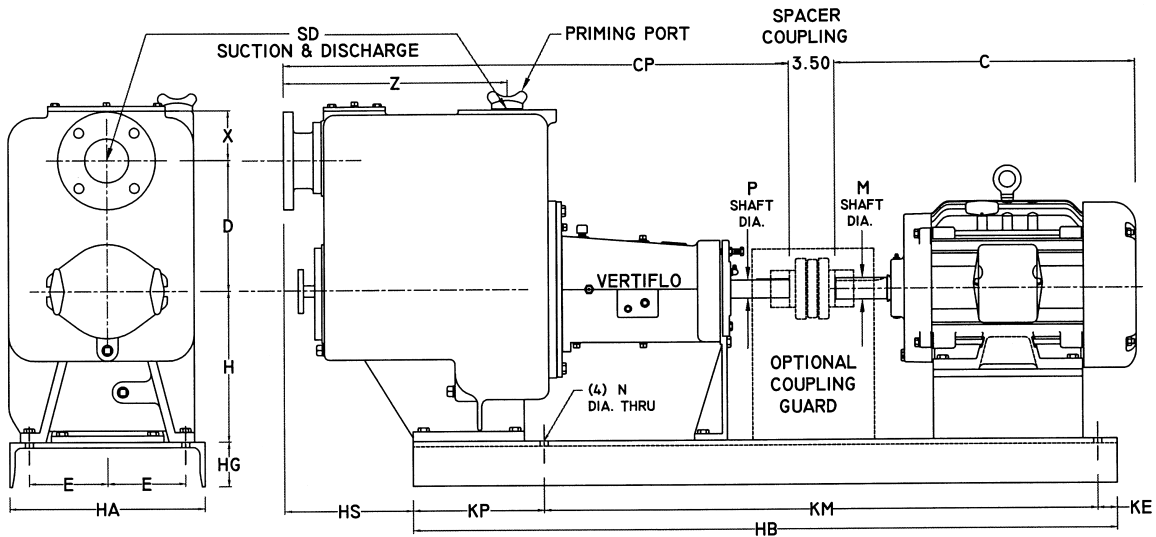
Revised 10-15-02



CUSTOMER \_\_\_\_\_ CUSTOMER NO. \_\_\_\_\_  
 PROJECT \_\_\_\_\_ SERIAL NO. \_\_\_\_\_  
 ENGINEER \_\_\_\_\_ LOCATION \_\_\_\_\_  
 CONTRACTOR \_\_\_\_\_  
 PUMP Model Size Curve No. GPM Head SP. GR. @Temp.  
 DATA \_\_\_\_\_  
 MOTOR Mfgr. HP RPM Volt-Phase-Cycle Frame ENC. Furnished by Mounted by  
 DATA \_\_\_\_\_  
 Shop Order \_\_\_\_\_ Certified by \_\_\_\_\_ Date \_\_\_\_\_

Revised 10-15-02

# VERTIFLO PUMP COMPANY



Model	Motor Frame	M	C	CP	D	E	H	HA	HB	HG	HS	KE	KM	KP	N	P	SD	X	Z
2122-3X3	182-84T	1.125	14.3						48				36.5						
	213-15T	1.375	17.9	38.75	10	6	11.5	15	54	3.4	9.88	1.5	42.5	10	.63	1.375	3	3.81	17.19
	254-56T	1.625	21.1																
2128-4X4	182-84T	1.125	14.3						48				35						
	213-15T	1.375	17.9						54	4	10.84	1.0	41	12	.63	1.625	4	4.75	18.81
	254-56T	1.625	21.1	40.55	9.5	7.5	11.5	18											
	284-86T	1.875	27.8						60				46.5						
2128L-6X6	254-56T	1.625	21.1																
	284-86T	1.875	27.8	42.97	11	9	10	22	60	3.5	11.28	1.5	46.5	12	.75	2	6	6.13	16.59
	324-26T	2.125	30.3																

Motor dimensions are based on the larger of the paired frame sizes since most motor manufacturers provide dual drilling for mounting of either frame size. Motor dimensions are for Baldor TEFC motors at 1750RPM. Motor overall length, (C), will vary based upon specific motor type, enclosure, and manufacturer. Dimension between shafts will vary with coupling type.

CUSTOMER \_\_\_\_\_ CUSTOMER NO. \_\_\_\_\_  
 PROJECT \_\_\_\_\_ SERIAL NO. \_\_\_\_\_  
 ENGINEER \_\_\_\_\_ LOCATION \_\_\_\_\_  
 CONTRACTOR \_\_\_\_\_  
 PUMP Model Size Curve No. GPM Head SP. GR. @Temp.  
 DATA \_\_\_\_\_  
 MOTOR Mfr. HP RPM Volt-Phase-Cycle Frame ENC. Furnished by Mounted by  
 DATA \_\_\_\_\_  
 Shop Order \_\_\_\_\_ Certified by \_\_\_\_\_ Date \_\_\_\_\_

Revised 7-15-04