

VERTIFLO

The Vertical Pump Specialists

PUMPS FOR INDUSTRY

CONTENTS:

Introduction & User List

Product Overview

Vertical Process Pumps Series 600

Vertical Sewage Pumps Series 700

Vertical Sump Pumps Series 800

Vertical Vortex Pumps Series 900

Vertical Cantilever Pumps Series 1100 and 1200

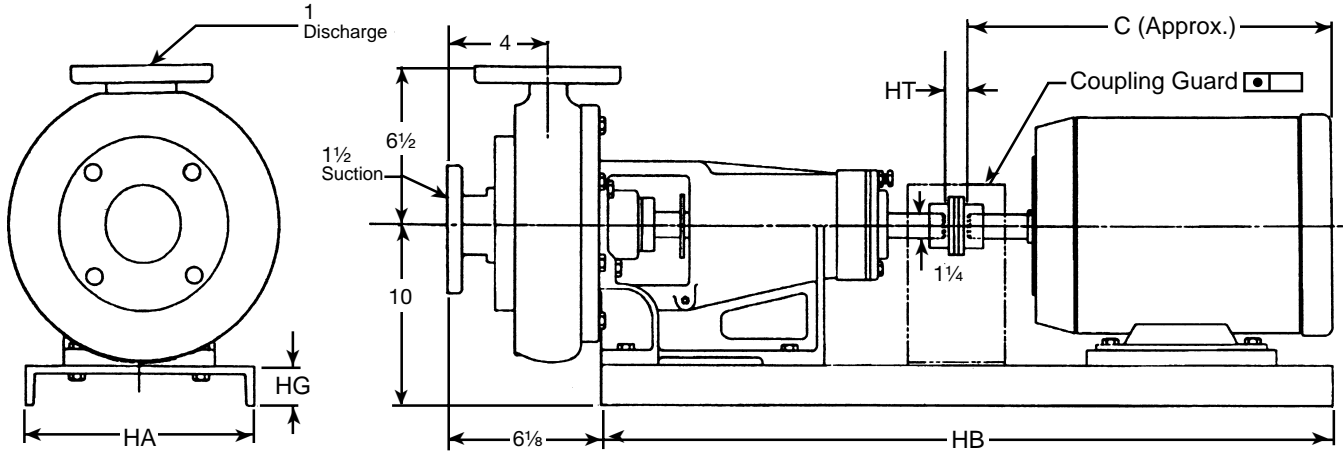
**Horizontal End Suction
Pumps-Centrifugal Series 1300 and 1400**

Horizontal End Suction
Pumps-Vortex Series 1500 and 1600

Horizontal Self-priming
Pumps- Centrifugal Series 2100

Engineering Sample Specifications

VERTIFLO PUMP COMPANY



1400LF Dimensions

Frame No.	143T	145T	182T	184T	213T	215T	254T	256T	284TS	284T
HA	12	12	12	12	12	12	15	15	15	15
HB	36	36	36	36	36	36	44	44	44	44
C	13 ¹ / ₈	13 ¹ / ₈	14 ⁵ / ₈	15 ⁵ / ₈	17 ³ / ₄	19 ¹ / ₄	22 ⁷ / ₈	24 ⁵ / ₈	24 ¹ / ₂	25 ⁷ / ₈
HG	3	3	3	3	3	3	3 ³ / ₈	3 ³ / ₈	3 ³ / ₈	3 ³ / ₈
HT	3/4	3/4	3/4	3/4	3/4	3/4	1	1	1	1

1400LF Performance Curve

