

# VERTIFLO

*The Vertical Pump Specialists*

## PUMPS FOR INDUSTRY

### CONTENTS:

Introduction & User List

Product Overview

Vertical Process Pumps ..... Series 600

Vertical Sewage Pumps ..... Series 700

Vertical Sump Pumps ..... Series 800

Vertical Vortex Pumps ..... Series 900

Vertical Cantilever Pumps ..... Series 1100 and 1200

**Horizontal End Suction  
Pumps-Centrifugal ..... Series 1300 and 1400**

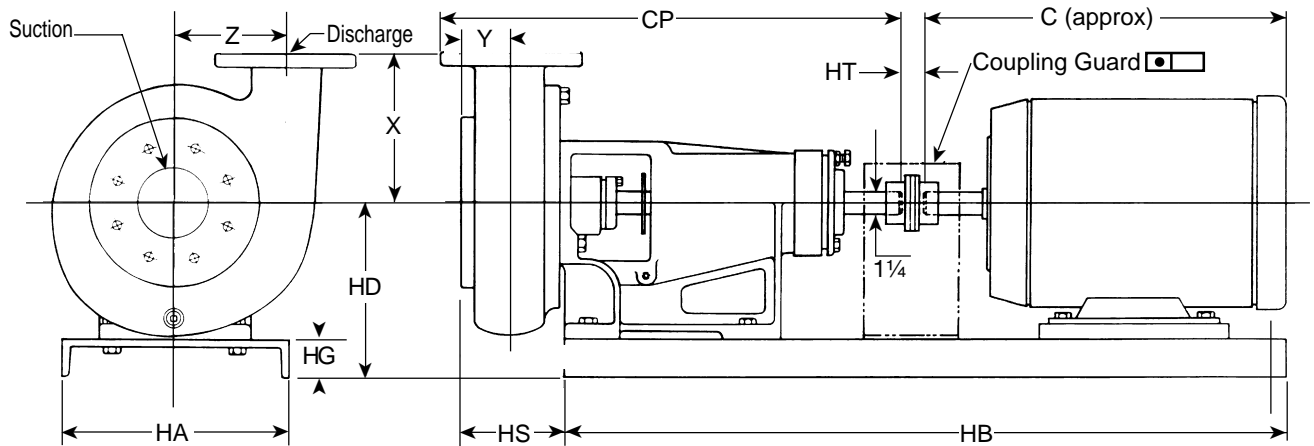
Horizontal End Suction  
Pumps-Vortex ..... Series 1500 and 1600

Horizontal Self-priming  
Pumps- Centrifugal ..... Series 2100

Engineering Sample Specifications

# VERTIFLO PUMP COMPANY Dimensions

## 1400 Series - Base-Mounted Models 1420/1424



1400

Not for construction unless certified, some dimensions may vary  $\pm 1/2"$ . Pump Construction: \_\_\_\_\_

CUSTOMER _____				CUSTOMER NO. _____			
PROJECT _____				SERIAL NO. _____			
ENGINEER _____				LOCATION _____			
CONTRACTOR _____							
PUMP Model	Size	Curve No.	GPM	Head	SP. GR.	@Temp.	
DATA _____	_____	_____	_____	_____	_____	_____	
MOTOR Mfgr.	HP	RPM	Volt-Phase-Cycle	Frame	ENC.	Furnished by	Mounted by
DATA _____	_____	_____	_____	_____	_____	_____	_____
Shop Order _____			Certified by _____			Date _____	

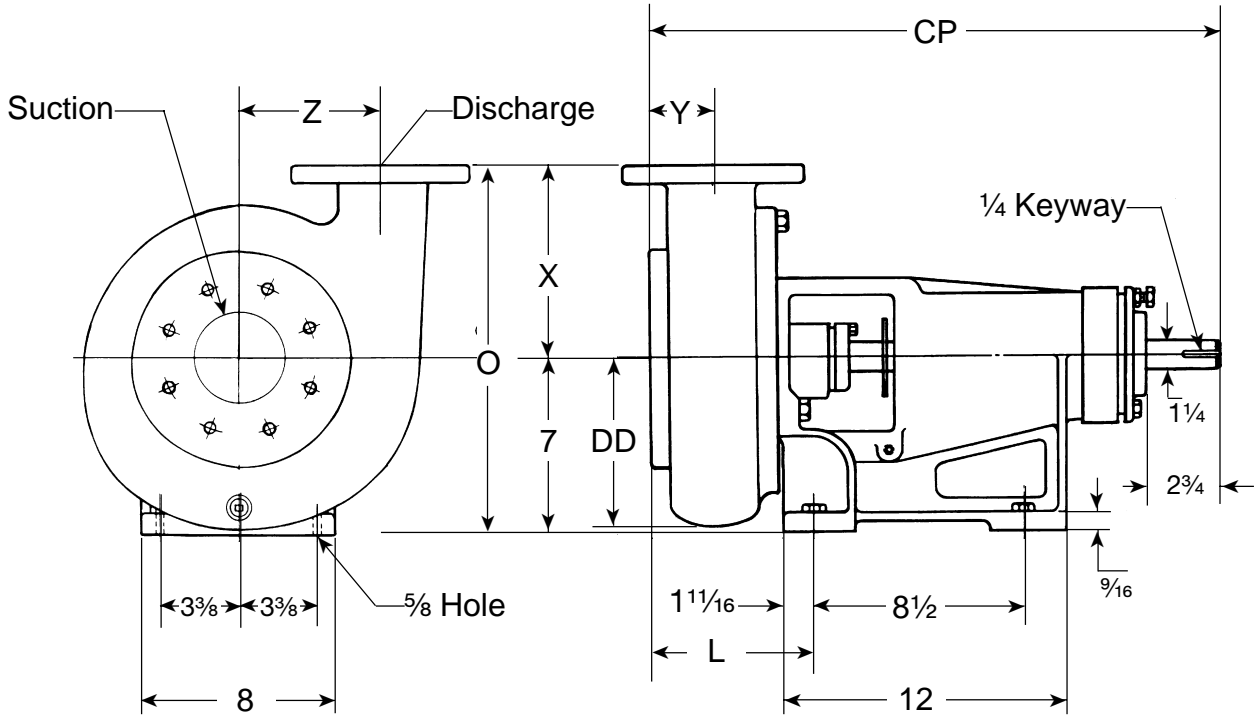
# VERIFLO PUMP COMPANY Models 1420 / 1424

Liquid End	SUCTION FLANGE						DISCHARGE FLANGE						X	Y	Z	CP	HS	DD	L	O
	FLG. Size	DIA. FLG.	# of Holes	Tap	Hole DIA.	Bolt Circle DIA.	FLG. Size	DIA FLG.	# of Holes	Hole DIA.	Bolt Circle DIA.									
3x2½x7	3	7½	4	⅝-11		6	2½	7	4	¾	5½	6¼	2⅝	4¾	22¾	5¼	5½	6¹⁵⁄₁₆	13¼	
1½x1x8	1½	5	4	½-13		3⅞	1	4¼	4	⅝	3⅞	6	1⅝	4½	21½	4	5¼	5¹¹⁄₁₆	13	
1½x1¼x8	1½	5	4	½-13		3⅞	1¼	4⅝	4	¾	4¾	5¾	1⅞	4¾	20¹⁄₁₆	4¼	5¼	4¼	12¾	
2x1½x8	2	6	4	⅝-11		4¾	1½	5	4	⅞	3⅞	5¾	2	4¾	22	4½	5⅝	6³⁄₁₆	12¾	
3x2x8	2½	7	4	⅝-11		5½	2	6	4	¾	4¾	6¼	2⅞	4¾	22¼	4¾	5¾	6⁷⁄₁₆	13¼	
4x3x8	4	9	8	⅝-11		7½	3	7½	4	¾	6	7	2¾	5¼	23⅞	5⅝	6	7⁵⁄₁₆	14	
5x4x8	5	10	8	¾-10		8½	4	9	8	¾	7½	7	2⅞	6	23½	6	7⅞	7¹¹⁄₁₆	14	
2x1½x10	2	6	4	⅝-11		4¾	1½	5	4	⅝	3⅞	6½	2	5¾	21⅞	4⅝	6⅝	6¹⁄₁₆	13½	
3x2x10	3	7½	4	⅝-11		6	2	6	4	¾	4¾	7	2³⁄₁₆	5¾	22¼	4¾	6½	6⁷⁄₁₆	14	
4x3x10	4	9	8	⅝-11		7½	3	7½	4	¾	6	8⅝	2⅝	6¼	22¾	5¼	7	6¹⁵⁄₁₆	15	
5x4x10	5	10	8	¾-10		8½	4	9	8	¾	7½	9	2¾	6½	23⅝	5⅞	7½	7⁹⁄₁₆	16	
6x5x10	6	11	8	¾-10		9½	5	10	8	⅞	8½	9	2¹³⁄₁₆	7⅞	23½	6	8⅝	7¹¹⁄₁₆	16	
6x5x10A	6	11	8	¾-10		9½	5	10	8	⅞	8½	9	2¹³⁄₁₆	7⅞	23½	6	8⅝	7¹¹⁄₁₆	16	
6x6x10	6	11	8	¾-10		9½	6	11	8	⅞	9½	9	2¹⁵⁄₁₆	8	23¾	6¼	10	7¹⁵⁄₁₆	16	
6x6x10A	6	11	8	¾-10		9½	6	11	8	⅞	9½	9	2¹⁵⁄₁₆	8	23¾	6¼	10	7¹⁵⁄₁₆	16	
2X1½x12	2	6	4		¾	4⅝	1½	5	4	⅝	3⅞	7½	3¾	6¾	23½	6	7⅞	7¹¹⁄₁₆	14½	
3x2x12	3	7½	4	⅝-11		6	2	6	4	¾	4¾	9½	2⁹⁄₁₆	5	22¹⁄₁₆	5⅞	7¾	6¼	16½	
4x3x12	4	9	8	⅝-11		7½	3	7½	4	¾	6	8½	2½	7⅞	21¹¹⁄₁₆	5½	8⁹⁄₁₆	5⅞	15½	
6x4x12	6	11	8	¾-10		9½	4	9	8	¾	7½	9	2¾	7¾	22³⁄₁₆	6	9	6⅝	16	
6x6x12	6	11	8	¾-10		9½	6	11	8	⅞	9½	9	3¼	8⅝	22¹⁵⁄₁₆	6¾	9⅞	7⅞	16	

Frame No.	143T	145T	182T	184T	213T	215T	254T	256T	284TS	284T	286TS	286T	324TS	324T	326T	326TS	364TS	364T	365TS	365T
HA	12	12	12	12	12	12	15	15	15	15	15	15	18	18	18	18	18	18	18	18
HB	36	36	36	36	36	36	44	44	44	44	44	44	48	48	48	48	48	48	48	48
C	13⅝	13⅝	14⅝	15⅝	17¼	19¼	22⅞	24⅝	24½	25⅞	26	27⅞	27¼	28¾	28¾	30¼	31	33⅝	32	34⅝
HD	10	10	10	10	10	10	10⅝	10⅝	10⅝	10⅝	10⅝	10⅝	12	12	12	12	13	13	13	13
HG	3	3	3	3	3	3	3⅝	3⅝	3⅝	3⅝	3⅝	3⅝	4	4	4	4	4	4	4	4
HT	¾	¾	¾	¾	¾	¾	1	1	1	1	1	1	1	1	1	1	1	1	1	1

**VERTIFLO PUMP COMPANY Dimensions**

**1400 Series - Pump Only  
Models 1420/1424**



1400

Not for construction unless certified, some dimensions may vary  $\pm 1/2"$ . Pump Construction: \_\_\_\_\_

CUSTOMER _____	CUSTOMER NO. _____					
PROJECT _____	SERIAL NO. _____					
ENGINEER _____	LOCATION _____					
CONTRACTOR _____						
PUMP Model _____	Size _____	Curve No. _____	GPM _____	Head _____	SP. GR. @Temp. _____	
DATA _____						
MOTOR Mfgr. _____	HP _____	RPM _____	Volt-Phase-Cycle _____	Frame ENC. _____	Furnished by _____	Mounted by _____
DATA _____						
Shop Order _____	Certified by _____	Date _____				