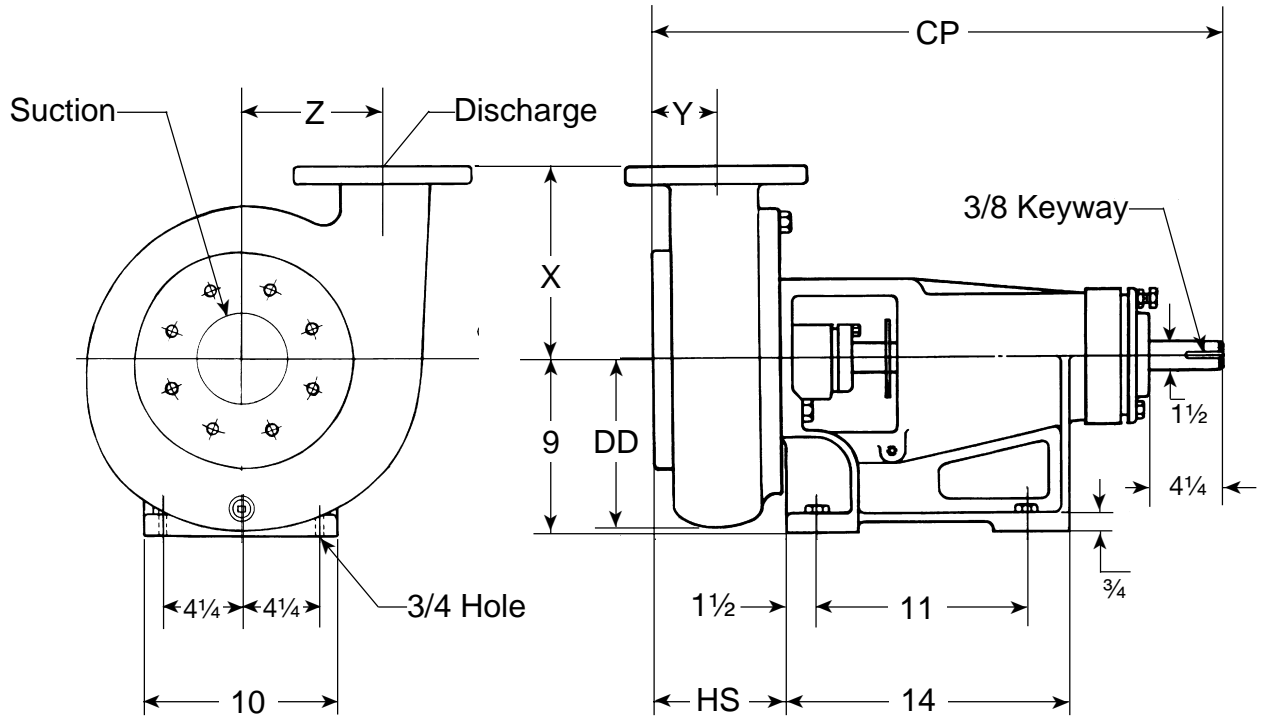


VERTIFLO PUMP COMPANY Dimensions

Model 1434 - Pump Only



1400

Not for construction unless certified, some dimensions may vary $\pm 1/2"$. Pump Construction: _____

CUSTOMER _____	CUSTOMER NO. _____						
PROJECT _____	SERIAL NO. _____						
ENGINEER _____	LOCATION _____						
CONTRACTOR _____							
PUMP Model _____	Size _____	Curve No. _____	GPM _____	Head _____	SP. GR. @Temp. _____	Pump Length _____	Plate _____
MOTOR Mfg. _____	HP _____	RPM _____	Volt-Phase-Cycle _____	Frame _____	ENC. _____	Furnished by _____	Mounted by _____
Shop Order _____	Certified by _____	Date _____					