

VERTIFLO

The Vertical Pump Specialists

PUMPS FOR INDUSTRY

CONTENTS:

Introduction & User List

Product Overview

Vertical Process Pumps Series 600

Vertical Sewage Pumps Series 700

Vertical Sump Pumps Series 800

Vertical Vortex Pumps Series 900

Vertical Cantilever Pumps Series 1100 and 1200

**Horizontal End Suction
Pumps-Centrifugal Series 1300 and 1400**

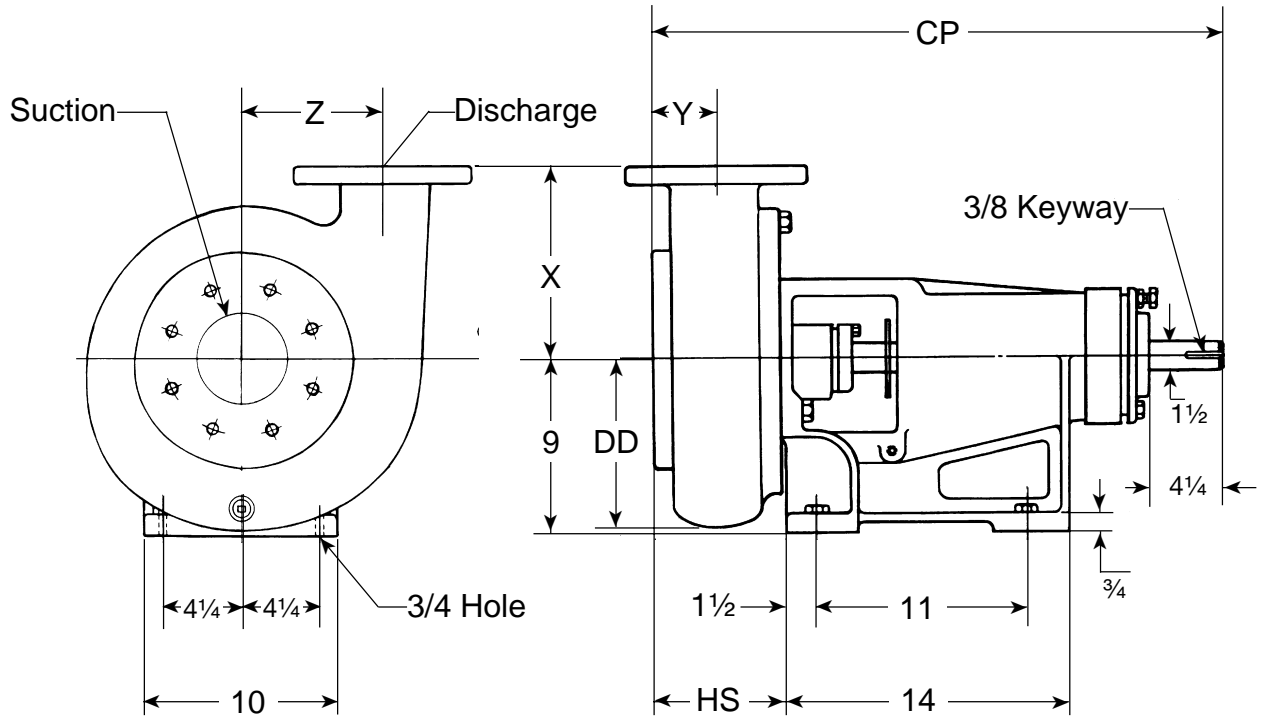
Horizontal End Suction
Pumps-Vortex Series 1500 and 1600

Horizontal Self-priming
Pumps- Centrifugal Series 2100

Engineering Sample Specifications

VERTIFLO PUMP COMPANY Dimensions

Model 1434 - Pump Only



1400

Not for construction unless certified, some dimensions may vary $\pm 1/2"$. Pump Construction: _____

CUSTOMER _____	CUSTOMER NO. _____						
PROJECT _____	SERIAL NO. _____						
ENGINEER _____	LOCATION _____						
CONTRACTOR _____							
PUMP Model _____	Size _____	Curve No. _____	GPM _____	Head _____	SP. GR. @Temp. _____	Pump Length _____	Plate _____
MOTOR Mfr. _____	HP _____	RPM _____	Volt-Phase-Cycle _____	Frame _____	ENC. _____	Furnished by _____	Mounted by _____
Shop Order _____	Certified by _____	Date _____					