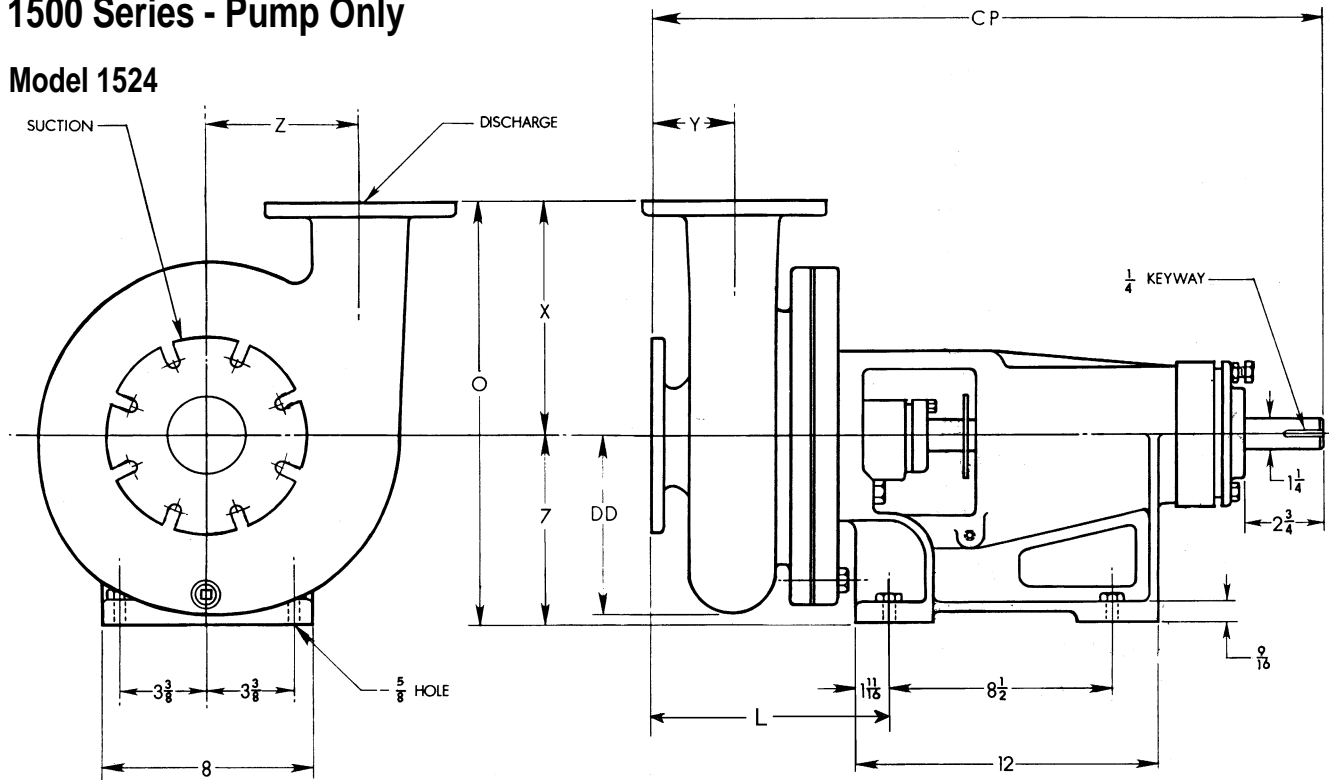


VERTIFLO PUMP COMPANY Dimensions

1500 Series - Pump Only

Model 1524



Flanges

Liquid End	FLG. Size	DIA. FLG.	# of Holes	Slot Width	DIA. Circle	X	Y	Z	CP	DD	L	O
1½x1½x10	1½	5	4	5/8	3 3/8	9	4 9/16	5 1/4	24 11/16	7 1/2	7 1/4	16
2x2x10	2	6	4	3/4	4 3/4	9 11/16	5 1/8	5 3/16	26 1/16	7 1/2	8 5/8	16 11/16
3x3x10	3	7 1/2	4	3/4	6	11	5 7/8	5 3/16	27 11/16	7 1/2	10 1/4	18
4x4x10	4	9	8	3/4	7 1/2	11 13/16	7 3/16	5 3/16	30 1/16	7 1/2	12 1/8	18 13/16
8x6x10	8	13 1/2	8	7/8	11 3/4	11 3/4	7 7/8	5 1/4	30 15/16	8 5/8	13 7/16	20 3/8
	6	11	8	7/8	9 1/2	11 3/4	7 7/8	5 1/4	30 15/16	8 5/8	13 7/16	20 3/8

Not for construction unless certified, some dimensions may vary ± 1/2". Pump Construction: _____

CUSTOMER _____ CUSTOMER NO. _____
 PROJECT _____ SERIAL NO. _____
 ENGINEER _____ LOCATION _____
 CONTRACTOR _____
 PUMP Model Size Curve No. GPM Head SP. GR. @Temp.
 DATA _____
 MOTOR Mfr. HP RPM Volt-Phase-Cycle Frame ENC. Furnished by Mounted by
 DATA _____
 Shop Order _____ Certified by _____ Date _____