

VERTIFLO

The Vertical Pump Specialists

PUMPS FOR INDUSTRY

CONTENTS:

Introduction & User List

Product Overview

Vertical Process Pumps Series 600

Vertical Sewage Pumps Series 700

Vertical Sump Pumps Series 800

Vertical Vortex Pumps Series 900

Vertical Cantilever Pumps Series 1100 and 1200

Horizontal End Suction
Pumps-Centrifugal Series 1300 and 1400

**Horizontal End Suction
Pumps-Vortex Series 1500 and 1600**

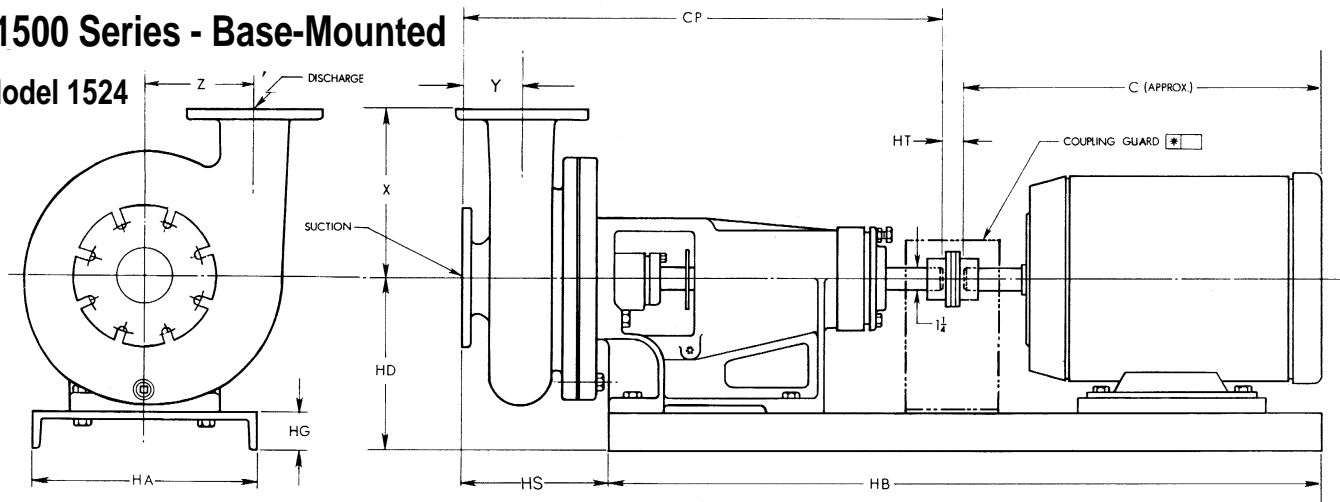
Horizontal Self-priming
Pumps- Centrifugal Series 2100

Engineering Sample Specifications

VERTIFLO PUMP COMPANY Dimensions

1500 Series - Base-Mounted

Model 1524



Flanges

Liquid End	FLG. Size	DIA. FLG.	# of Holes	Slot Width	DIA. Circle	X	Y	Z	CP	HS
1½x1½x10	1½	5	4	⅝	3⅞	9	4⅜	5¼	24 ¹¹ / ₁₆	7 ⁷ / ₁₆
2x2x10	2	6	4	¾	4¾	9 ¹¹ / ₁₆	5⅞	5 ⁵ / ₁₆	26 ¹ / ₁₆	8 ⁹ / ₁₆
3x3x10	3	7½	4	¾	6	11	5 ⁷ / ₈	5 ⁵ / ₁₆	27 ¹¹ / ₁₆	10 ⁹ / ₁₆
4x4x10	4	9	8	¾	7½	11 ¹⁹ / ₁₆	7 ⁹ / ₁₆	5 ⁵ / ₁₆	30 ¹ / ₁₆	12 ⁹ / ₁₆
8x6x10	8	13½	8	7/8	11¾	11¾	7 ⁷ / ₈	5¼	30 ¹⁵ / ₁₆	13 ⁷ / ₁₆
	6	11	8	7/8	9½	11¾	7 ⁷ / ₈	5¼	30 ¹⁵ / ₁₆	13 ⁷ / ₁₆

Frame No.	143T	145T	182T	184T	213T	215T	254T	256T	284TS	284T	286TS	286T	324TS	324T	326T	326TS	364TS	364T	365TS	365T
HA	12	12	12	12	12	12	15	15	15	15	15	15	18	18	18	18	18	18	18	18
HB	36	36	36	36	36	36	44	44	44	44	44	44	48	48	48	48	48	48	48	48
C	13⅜	13⅜	14⅝	15⅝	17¾	19¼	22⅞	24⅝	24½	25⅞	26	27⅞	27¼	28¾	28¾	30¼	31	33⅜	32	34⅜
HD	10	10	10	10	10	10	10%	10%	10%	10%	10%	10%	12	12	12	12	13	13	13	13
HG	3	3	3	3	3	3	3⅜	3⅜	3⅜	3⅜	3⅜	3⅜	4	4	4	4	4	4	4	4
HT	¾	¾	¾	¾	¾	¾	1	1	1	1	1	1	1	1	1	1	1	1	1	1

Not for construction unless certified, some dimensions may vary ± 1/2". Pump Construction: _____

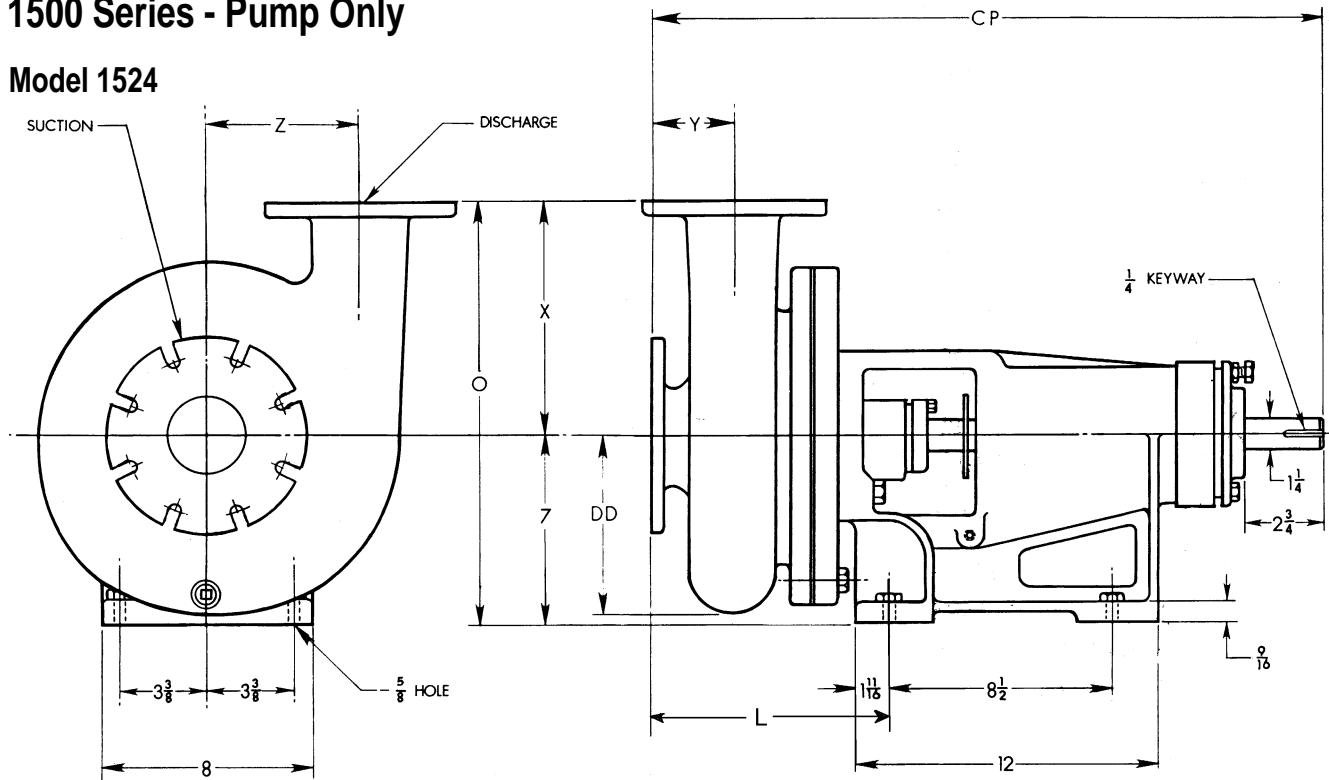
1500

CUSTOMER _____ CUSTOMER NO. _____
 PROJECT _____ SERIAL NO. _____
 ENGINEER _____ LOCATION _____
 CONTRACTOR _____
 PUMP Model _____ Size _____ Curve No. _____ GPM _____ Head _____ SP. GR. @Temp. _____
 DATA _____
 MOTOR Mfr. _____ HP _____ RPM _____ Volt-Phase-Cycle _____ Frame ENC. _____ Furnished by _____ Mounted by _____
 DATA _____
 Shop Order _____ Certified by _____ Date _____

VERTIFLO PUMP COMPANY Dimensions

1500 Series - Pump Only

Model 1524



Flanges

Liquid End	FLG. Size	DIA. FLG.	# of Holes	Slot Width	DIA. Circle	X	Y	Z	CP	DD	L	O
1½x1½x10	1½	5	4	5/8	3¾	9	4¾/16	5¼	24¹¹/₁₆	7½	7¼	16
2x2x10	2	6	4	¾	4¾	9¹¹/₁₆	5½	5³/₁₆	26¹/₁₆	7½	8⅝	16¹¹/₁₆
3x3x10	3	7½	4	¾	6	11	5⅞	5³/₁₆	27¹¹/₁₆	7½	10¼	18
4x4x10	4	9	8	¾	7½	11¹³/₁₆	7³/₁₆	5³/₁₆	30¹/₁₆	7½	12⅝	18¹³/₁₆
8x6x10	8	13½	8	7/8	11¾	11¾	7⅞	5¼	30¹⁵/₁₆	8⅝	13⁷/₁₆	20⅝
	6	11	8	7/8	9½	11¼	7⅞	5¼	30¹⁵/₁₆	8⅝	13⁷/₁₆	20⅝

Not for construction unless certified, some dimensions may vary ± 1/2". Pump Construction: _____

CUSTOMER _____ CUSTOMER NO. _____
 PROJECT _____ SERIAL NO. _____
 ENGINEER _____ LOCATION _____
 CONTRACTOR _____
 PUMP Model Size Curve No. GPM Head SP. GR. @Temp.
 DATA _____
 MOTOR Mfr. HP RPM Volt-Phase-Cycle Frame ENC. Furnished by Mounted by
 DATA _____
 Shop Order _____ Certified by _____ Date _____