

VERTIFLO

The Vertical Pump Specialists

PUMPS FOR INDUSTRY

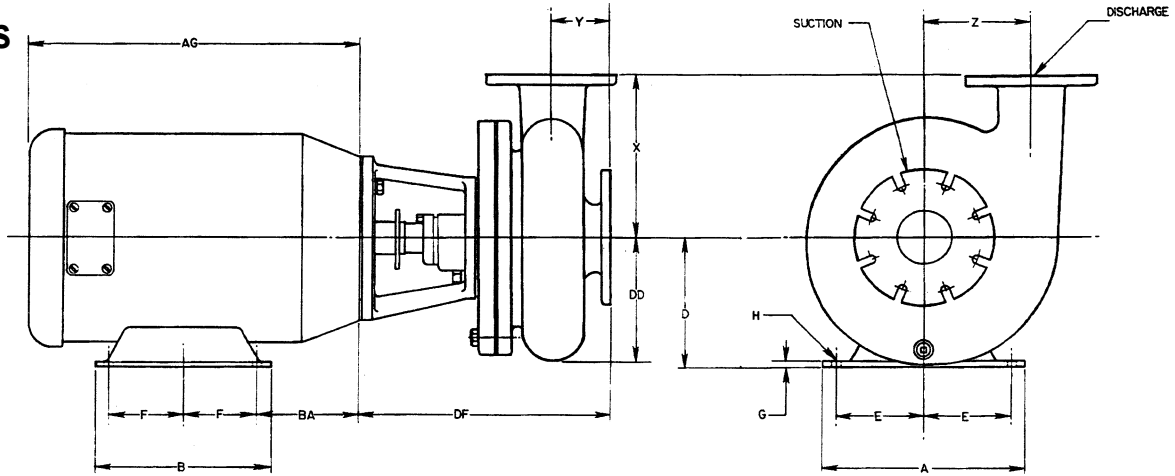
CONTENTS:

Introduction & User List
Product Overview
Vertical Process Pumps Series 600
Vertical Sewage Pumps Series 700
Vertical Sump Pumps Series 800
Vertical Vortex Pumps Series 900
Vertical Cantilever Pumps Series 1100 and 1200
Horizontal End Suction Pumps-Centrifugal Series 1300 and 1400
Horizontal End Suction Pumps-Vortex Series 1500 and 1600
Horizontal Self-priming Pumps- Centrifugal Series 2100
Engineering Sample Specifications

VERTIFLO PUMP COMPANY Dimensions

1600 Series

Models
1620, 1626



Flanges

Liquid End	FLG. Size	DIA. FLG.	# of Holes	Slot Width	DIA. Circle	X	Y	Z	DD
1½x1½x10	1½	5	4	5/8	3¾	9	4¾/16	5¼	7½
2x2x10	2	6	4	¾	4¾	9½/16	5½	5¾/16	7½
3x3x10	3	7½	4	¾	6	11	5¾	5¾/16	7½
4x4x10	4	9	8	¾	7½	11½/16	7¾/16	5¾/16	7½
8x6x10	8	13½	8	7/8	11¾	11¾	7¾	5¼	8¾
	6	11	8	7/8	9½	11¾	7¾	5¼	8¾

Motor Details

	A	B	D	E	F	G	H	AG	BA
143JP	6½	6	3½	2¾	2	1/8	11/32	97/16	4½
145JP	6½	6	3½	2¾	2½	1/8	11/32	97/16	4½
182JP	8¾	6¾	4½	3¾	2¼	3/8	13/32	13½	5½
184JP	8¾	6¾	4½	3¾	2¾	3/8	13/32	13½	5½
213JP	9½	7¾	5¼	4¼	2¾	5/8	13/32	15½	6¾
215JP	9½	8¾	5¼	4¼	3½	5/8	13/32	17	6¾
254JP	11¾	10½/16	6¼	5	4½	11/16	17/32	20½	7¾
256JP	11¾	12¾/16	6¼	5	5	11/16	17/32	21¾	7¾
284JP	12¾	12¼	7	5½	4¾	¾	17/32	22¾	7¾

Pump Size	DF	
	56-184 JP	213-326 JP
1½x1½x10	12¾	13¾
2x2x10	14	14½
3x3x10	15¾	16¾
4x4x10	18	18½
8x6x10	22½	23

Not for construction unless certified, some dimensions may vary ± 1/2". Pump Construction: _____

CUSTOMER _____ CUSTOMER NO. _____
 PROJECT _____ SERIAL NO. _____
 ENGINEER _____ LOCATION _____
 CONTRACTOR _____
 PUMP Model Size Curve No. GPM Head SP. GR. @Temp.
 DATA _____
 MOTOR Mfr. HP RPM Volt-Phase-Cycle Frame ENC. Furnished by Mounted by
 DATA _____
 Shop Order _____ Certified by _____ Date _____