

## 1. Motor Support

Assures positive alignment of motor and pump shaft with register fit. Normal thrust, vertical NEMA C face motor standard

## 2. Flexible Coupling

## 3. External Impeller Adjustment

High performance maintained without dismantling pump

## 4. Thrust Bearings

High thrust angular contact bearing. Moisture-proof enclosure with (2) grease seals, purge-type grease lubrication

## 5. Gas Tight Column Closure

Double lip seal, grease lubricated

## 6. Cover Plate

Designed for specific unit. Carbon steel standard

## 7. Column Pipe

Schedule 40 steel with welded flanges

## 8. Positive Machined Fits

Machine registered fits of column, bearing housing and casing

## 9. Intermediate Bearing Assembly

Optional designs for special applications. Furnished as standard on pumps built for pit depths greater than 6'-0"

## 10. Shafting

Accurately machined 416 stainless steel, 1 1/4" or 1 1/2" diameter to assure minimum deflection

## 11. Pump Bearing Assembly

Heavy construction designed for maximum bearing loadings. Optional designs available

## 12. Bearings

Various materials available to suit most specifications

## 13. Choker Ring

Restricts entrance of abrasives and solids into bottom bearing area

## 14. Impeller

Fully enclosed 2 vane non-clog design with wiping vanes which reduce axial loading and prolongs bearing life. Wiping vanes aid in keeping particles from behind impeller and pump bearing assembly. Impeller is secured to shaft by taper fit with woodruff key, nut.

## 15. Casing

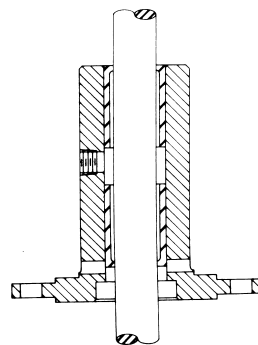
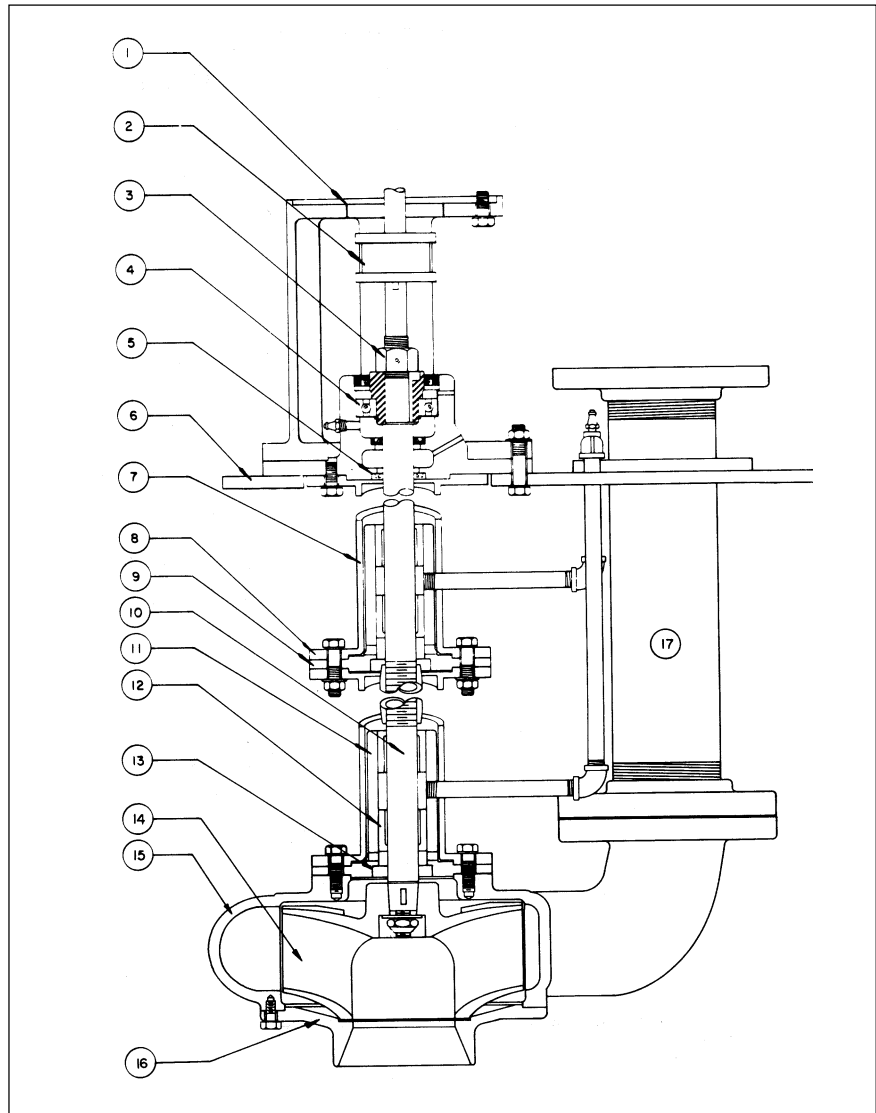
Flanged discharge all sizes. Designed specifically for solids handling. Incorporates long radius elbow, reducing friction loss

## 16. Suction Cover

Removable on all pumps for easy inspection, cleaning or servicing

## 17. Discharge Pipe

All sizes flanged. Below plate "T"-type discharge available



### Lower Bearing Assembly

The Standard pump bearing assembly consists of choker ring and (2) guide bearing bushings compatible with the liquid. Standard bronze bearings furnished with pressurized grease lubrication. Optional: rubber or carbon graphite.

### Intermediate Bearing Assembly

The standard intermediate bearing assembly consists of (2) guide bearings compatible with the liquid and is standard when pump length exceeds 6 feet. Standard bronze bearings furnished for pressurized grease lubrication. Optional: rubber or carbon graphite.

| Model Number | Shaft Size | Column Pipe Size | Quantity of Bushings Bottom Bearing |
|--------------|------------|------------------|-------------------------------------|
| 720 .....    | 1.250      | 4.00             | 2                                   |
| 724 .....    | 1.500      | 4.00             | 2                                   |