

700 Series Simplex

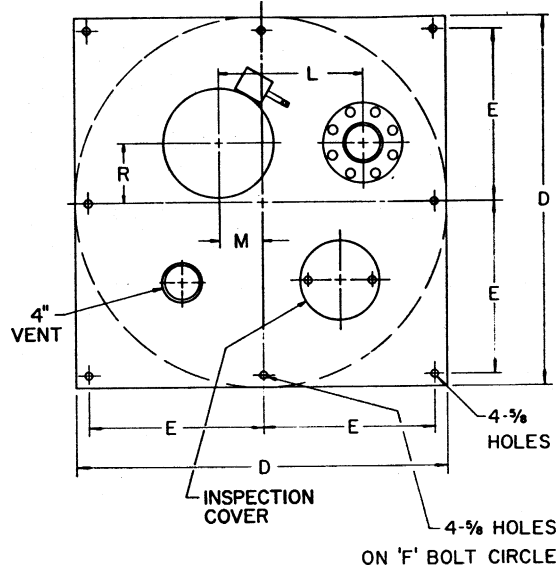
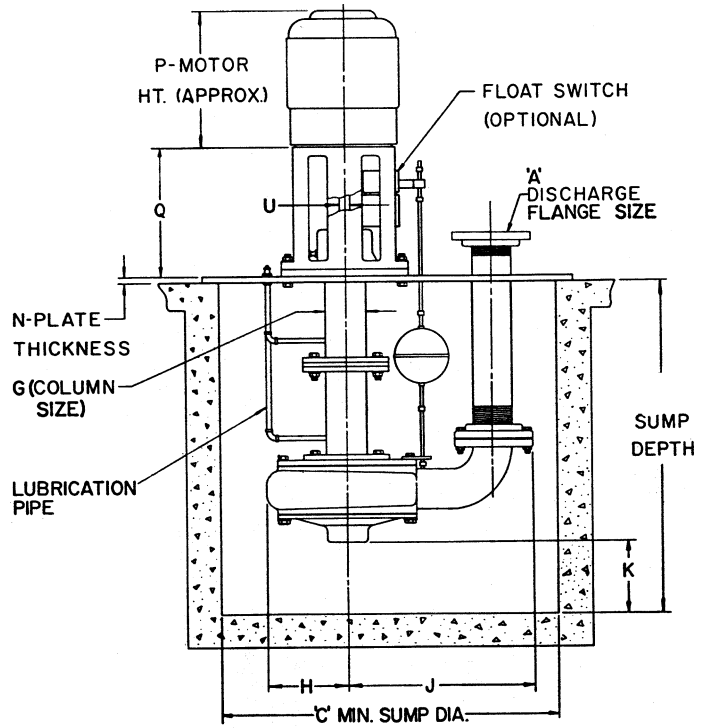
PUMP DATA

SIZE	3x3x7	3x3x9 ³ / ₄	4x4x8 ¹ / ₄	4x4x9 ³ / ₄	5x5x12
A SUC. DISC.	3	3	4	4	5
B MIN.	2	2	3	3	4
B MAX.	20	18	18	17	15
C MIN.	24	24	30	30	30
D MIN.	28	28	34	34	34
E	13	13	16	16	16
F	26	26	32	32	32
G	3 ¹ / ₂	4	4	4	4
H	6 ¹ / ₈	7 ⁵ / ₈	7 ¹ / ₂	8 ¹ / ₈	10 ¹ / ₈
J	13 ³ / ₄	13 ³ / ₄	15 ¹ / ₂	15 ¹ / ₂	17
K	4 ³ / ₈	4 ³ / ₈	3 ⁵ / ₈	3 ³ / ₈	3 ¹ / ₈
L	10	10	11	11	12
M	3 ¹ / ₄	3 ¹ / ₄	5	5	3 ³ / ₈
N	3 ³ / ₈	3 ³ / ₈	3 ³ / ₈	3 ³ / ₈	3 ³ / ₈
R	1 ⁵ / ₈	1 ⁵ / ₈	0	0	0
U	7 ⁷ / ₈	1 ¹ / ₈	1 ¹ / ₈	1 ¹ / ₈	1 ¹ / ₈

MOTOR DATA

FRAME	P	Q
56 C	10 ⁷ / ₁₆	12
143 TC	10	12
145 TC	10 ⁷ / ₁₆	12
182-184 TC	13 ¹ / ₂	12
213 TC	15 ¹ / ₂	12
215 TC	17	12
254 TC	20 ¹ / ₈	12
256 TC	21 ¹ / ₈	12
284 TC	22 ³ / ₈	13
286 TC	23 ³ / ₈	13
324 TC	24 ³ / ₄	13 ¹ / ₂
326 TC	26 ¹ / ₈	13 ¹ / ₂
364 TC	26 ¹ / ₂	16 ⁵ / ₈
365 TC	27 ¹ / ₂	16 ⁵ / ₈

"K" Dimension shown is for a pump built for a 2' through 6' pit depth. For each additional column section, subtract 3/8" from "K."



Not for construction unless certified, some dimensions may vary ± 1/2". Pump Construction: _____

CUSTOMER _____ CUSTOMER NO. _____
 PROJECT _____ SERIAL NO. _____
 ENGINEER _____ LOCATION _____
 CONTRACTOR _____
 PUMP Model Size Curve No. GPM Head SP. GR. @Temp. Pump Length Plate
 DATA _____
 MOTOR Mfr. HP RPM Volt-Phase-Cycle Frame ENC. Furnished by Mounted by
 DATA _____
 Shop Order _____ Certified by _____ Date _____