

VERTIFLO

The Vertical Pump Specialists

PUMPS FOR INDUSTRY

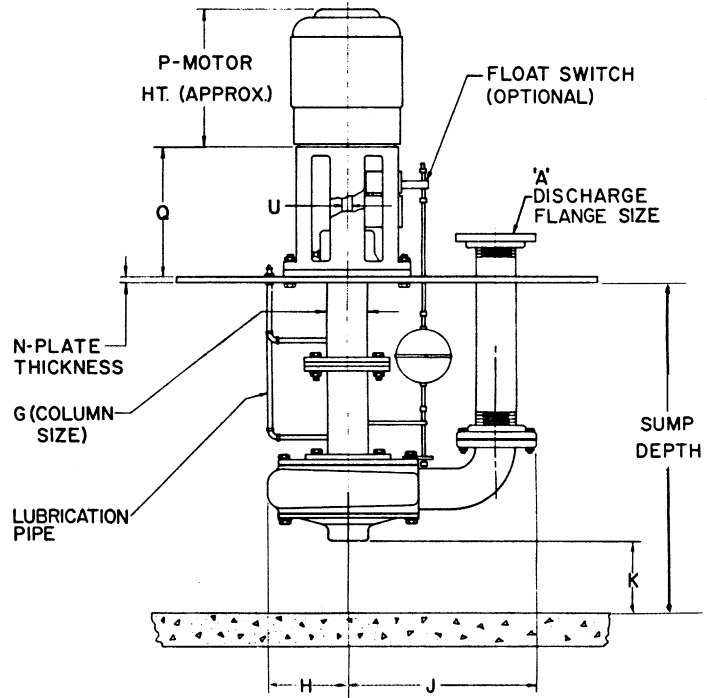
CONTENTS:

Introduction & User List
Product Overview
Vertical Process Pumps Series 600
Vertical Sewage Pumps Series 700
Vertical Sump Pumps Series 800
Vertical Vortex Pumps Series 900
Vertical Cantilever Pumps Series 1100 and 1200
Horizontal End Suction Pumps-Centrifugal Series 1300 and 1400
Horizontal End Suction Pumps-Vortex Series 1500 and 1600
Horizontal Self-priming Pumps- Centrifugal Series 2100
Engineering Sample Specifications

700 Series Basic Oval

PUMP DATA

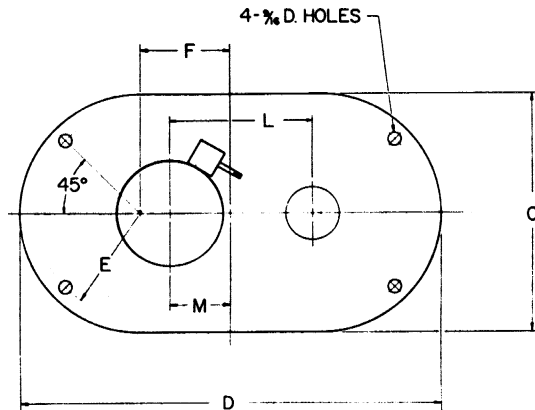
SIZE	3x3x7	3x3x9 ³ / ₄	4x4x8 ¹ / ₄	4x4x9 ³ / ₄	5x5x12
A SUC. DISC.	3	3	4	4	5
B MIN.	2	2	3	3	4
B MAX.	20	18	18	17	15
C	18	18	21	21	22
D	26	26	30	30	32
E	8	8	9 ¹ / ₂	9 ¹ / ₂	10
F	4	4	4 ¹ / ₂	4 ¹ / ₂	5
G	3 ¹ / ₂	4	4	4	4
H	6 ¹ / ₈	7 ⁵ / ₈	7 ¹ / ₂	8 ¹ / ₈	10 ¹ / ₈
J	13 ³ / ₄	13 ³ / ₄	15 ¹ / ₂	15 ¹ / ₂	17
K	4 ³ / ₈	4 ³ / ₈	3 ⁵ / ₈	3 ³ / ₈	3 ¹ / ₈
L	10	10	11	11	12
M	3 ¹ / ₈	3 ¹ / ₈	3 ³ / ₄	3 ³ / ₄	3 ¹ / ₄
N	3 ⁷ / ₈	3 ⁷ / ₈	3 ⁷ / ₈	3 ⁷ / ₈	1 ¹ / ₂
U	7 ⁷ / ₈	1 ¹ / ₈	1 ¹ / ₈	1 ¹ / ₈	1 ¹ / ₈



MOTOR DATA

FRAME	P	Q
56 C	10 ⁷ / ₁₆	12
143 TC	10	12
145 TC	10 ⁷ / ₁₆	12
182-184 TC	13 ¹ / ₂	12
213 TC	15 ¹ / ₂	12
215 TC	17	12
254 TC	20 ¹ / ₈	12
256 TC	21 ⁷ / ₈	12
284 TC	22 ³ / ₈	13
286 TC	23 ⁷ / ₈	13
324 TC	24 ³ / ₄	13 ¹ / ₂
326 TC	26 ¹ / ₈	13 ¹ / ₂
364 TC	26 ¹ / ₂	16 ⁵ / ₈
365 TC	27 ¹ / ₂	16 ⁵ / ₈

"K" Dimension shown is for a pump built for a 2' through 6' pit depth. For each additional column section, subtract 3/8" from "K."



Not for construction unless certified, some dimensions may vary $\pm 1/2$ ". Pump Construction: _____

CUSTOMER _____ CUSTOMER NO. _____
 PROJECT _____ SERIAL NO. _____
 ENGINEER _____ LOCATION _____
 CONTRACTOR _____
 PUMP Model Size Curve No. GPM Head SP. GR. @Temp. Pump Length Plate
 DATA _____
 MOTOR Mfgr. HP RPM Volt-Phase-Cycle Frame ENC. Furnished by Mounted by
 DATA _____
 Shop Order _____ Certified by _____ Date _____

700 Series Simplex

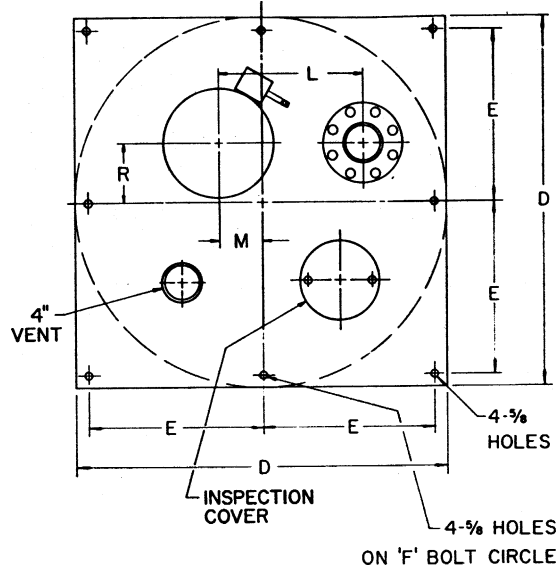
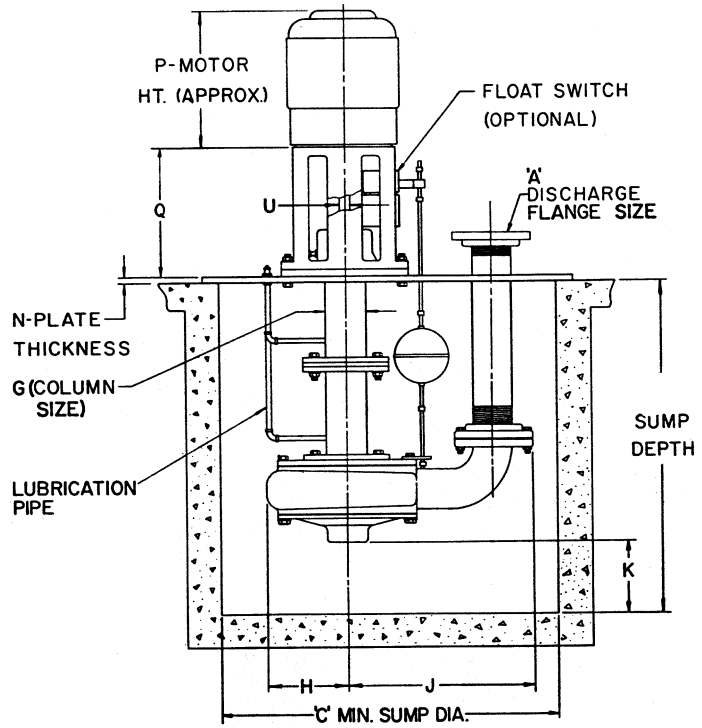
PUMP DATA

SIZE	3x3x7	3x3x9 ³ / ₄	4x4x8 ¹ / ₄	4x4x9 ³ / ₄	5x5x12
A SUC. DISC.	3	3	4	4	5
B MIN.	2	2	3	3	4
B MAX.	20	18	18	17	15
C MIN.	24	24	30	30	30
D MIN.	28	28	34	34	34
E	13	13	16	16	16
F	26	26	32	32	32
G	3 ¹ / ₂	4	4	4	4
H	6 ¹ / ₈	7 ⁵ / ₈	7 ¹ / ₂	8 ¹ / ₈	10 ¹ / ₈
J	13 ³ / ₄	13 ³ / ₄	15 ¹ / ₂	15 ¹ / ₂	17
K	4 ³ / ₈	4 ³ / ₈	3 ⁵ / ₈	3 ³ / ₈	3 ¹ / ₈
L	10	10	11	11	12
M	3 ¹ / ₄	3 ¹ / ₄	5	5	3 ³ / ₈
N	3 ³ / ₈	3 ³ / ₈	3 ³ / ₈	3 ³ / ₈	3 ³ / ₈
R	1 ⁵ / ₈	1 ⁵ / ₈	0	0	0
U	7 ⁷ / ₈	1 ¹ / ₈	1 ¹ / ₈	1 ¹ / ₈	1 ¹ / ₈

MOTOR DATA

FRAME	P	Q
56 C	10 ⁷ / ₁₆	12
143 TC	10	12
145 TC	10 ⁷ / ₁₆	12
182-184 TC	13 ¹ / ₂	12
213 TC	15 ¹ / ₂	12
215 TC	17	12
254 TC	20 ¹ / ₈	12
256 TC	21 ¹ / ₈	12
284 TC	22 ³ / ₈	13
286 TC	23 ³ / ₈	13
324 TC	24 ³ / ₄	13 ¹ / ₂
326 TC	26 ¹ / ₈	13 ¹ / ₂
364 TC	26 ¹ / ₂	16 ⁵ / ₈
365 TC	27 ¹ / ₂	16 ⁵ / ₈

"K" Dimension shown is for a pump built for a 2' through 6' pit depth. For each additional column section, subtract 3/8" from "K."



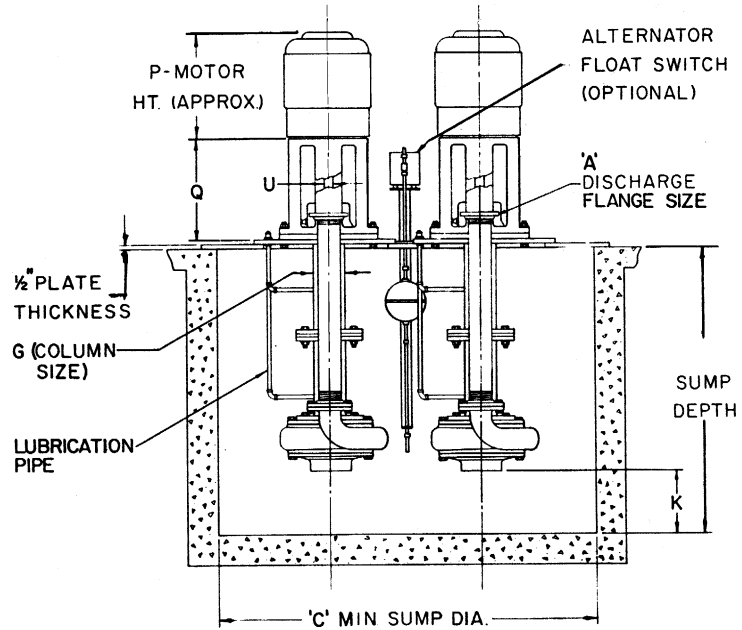
Not for construction unless certified, some dimensions may vary ± 1/2". Pump Construction: _____

CUSTOMER _____ CUSTOMER NO. _____
 PROJECT _____ SERIAL NO. _____
 ENGINEER _____ LOCATION _____
 CONTRACTOR _____
 PUMP Model Size Curve No. GPM Head SP. GR. @Temp. Pump Length Plate
 DATA _____
 MOTOR Mfr. HP RPM Volt-Phase-Cycle Frame ENC. Furnished by Mounted by
 DATA _____
 Shop Order _____ Certified by _____ Date _____

700 Series Duplex

PUMP DATA

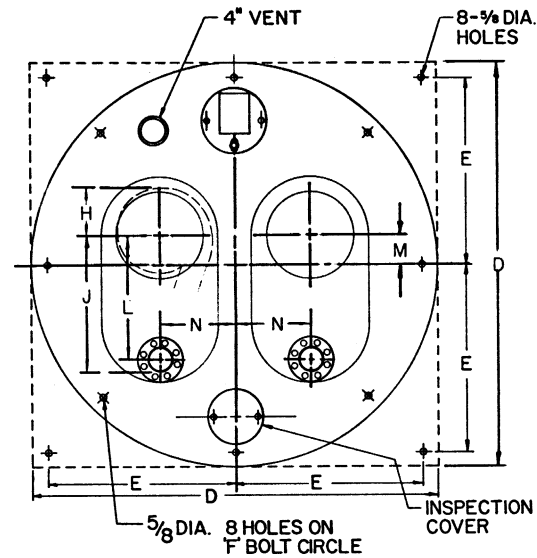
SIZE	3x3x7	3x3x9 ³ / ₄	4x4x8 ¹ / ₄	4x4x9 ³ / ₄	5x5x12
A SUC. DISC.	3	3	4	4	5
B MIN.	2	2	3	3	4
B MAX.	20	18	18	17	15
C MIN.	36	42	48	48	48
D	46	46	54	54	54
E	22	22	25 ¹ / ₂	25 ¹ / ₂	25 ¹ / ₂
F	44	44	51	51	51
G	3 ¹ / ₂	4	4	4	4
H	6 ¹ / ₈	7 ⁵ / ₈	7 ¹ / ₂	8 ¹ / ₈	10 ¹ / ₈
J	13 ³ / ₄	13 ³ / ₄	15 ¹ / ₂	15 ¹ / ₂	17
K	4 ⁷ / ₈	4 ⁷ / ₈	4 ¹ / ₈	3 ⁷ / ₈	3 ⁵ / ₈
L	10	10	11	11	12
M	2	2 ⁷ / ₈	3 ³ / ₄	3 ³ / ₄	3 ¹ / ₄
N	9 ¹ / ₂	9 ¹ / ₂	12 ⁵ / ₈	12 ⁵ / ₈	12
U	7 ⁷ / ₈	1 ¹ / ₈	1 ¹ / ₈	1 ¹ / ₈	1 ¹ / ₈



"K" Dimension shown is for a pump built for a 2' through 6' pit depth. For each additional column section, subtract 3/8" from "K."

MOTOR DATA

FRAME	P	Q
56 C	10 ⁷ / ₁₆	12
143 TC	10	12
145 TC	10 ⁷ / ₁₆	12
182-184 TC	13 ¹ / ₂	12
213 TC	15 ¹ / ₂	12
215 TC	17	12
254 TC	20 ¹ / ₈	12
256 TC	21 ¹ / ₈	12
284 TC	22 ³ / ₈	13
286 TC	23 ³ / ₈	13
324 TC	24 ³ / ₄	13 ¹ / ₂
326 TC	26 ¹ / ₈	13 ¹ / ₂
364 TC	26 ¹ / ₂	16 ⁵ / ₈
365 TC	27 ¹ / ₂	16 ⁵ / ₈



Not for construction unless certified, some dimensions may vary ± 1/2". Pump Construction: _____

CUSTOMER _____ CUSTOMER NO. _____
 PROJECT _____ SERIAL NO. _____
 ENGINEER _____ LOCATION _____
 CONTRACTOR _____
 PUMP Model Size Curve No. GPM Head SP. GR. @Temp. Pump Length Plate
 DATA _____
 MOTOR Mfr. HP RPM Volt-Phase-Cycle Frame ENC. Furnished by Mounted by
 DATA _____
 Shop Order _____ Certified by _____ Date _____